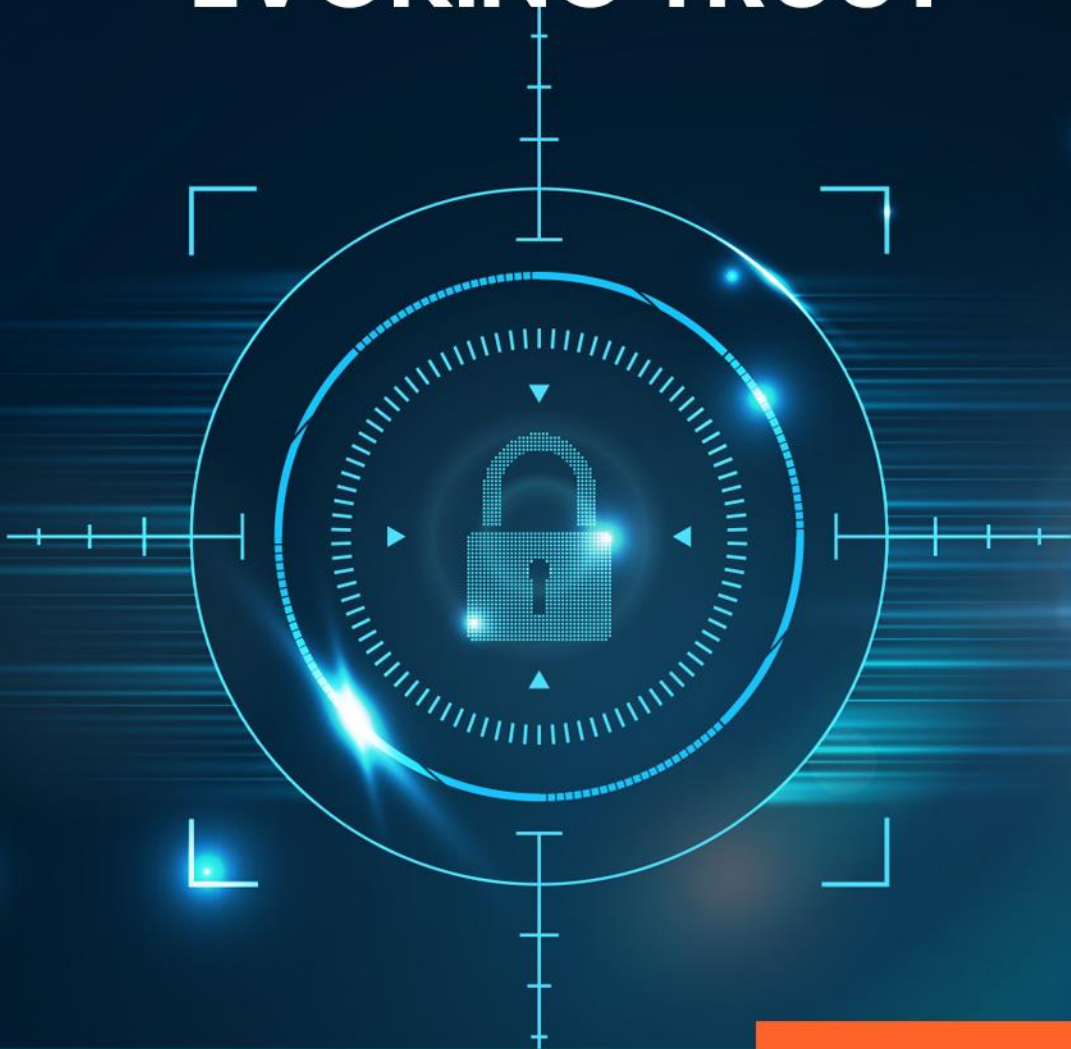




EVOKING TRUST



**Intelligent Video
Analysis at Edge
IP-30 Camera Series**



4MP 37x IR PTZ Camera

IP-30303LPT

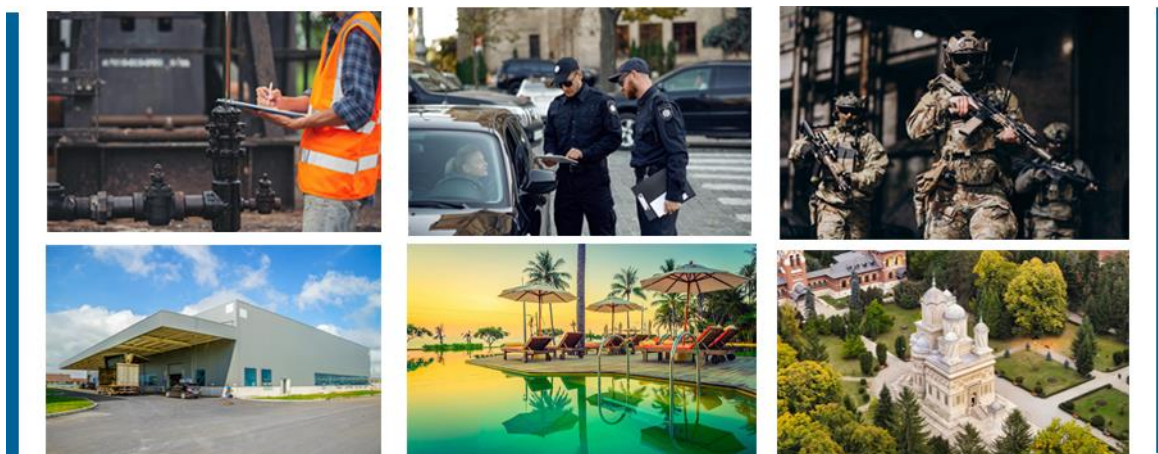


About the Camera : IP 30 Series cameras are affordable latest camera series by Wavesys. It is built on advanced system-on-chip technology ,NDAA Compliant and Sony Starvis Sensors. The IP 30 series cameras are integrated with Wavesys Open Platform Enterprise Level Video Management Software WVMS. Wavesys is a video-based business intelligence leader with deep knowledge of different applications of intelligent video across distinct verticals.

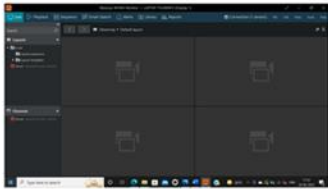
Key Features

- Full HD 4 MP @30FPS
- True Day/Night & WDR
- 37x Optical zoom
- Power over Ethernet (IEEE 802.3af)
- H.265, H.264 and MJPEG compression
- Smart Motion Detection Technology
- IP66 Environmental Housing
- CE, FCC, BIS & RoHS Certification

Application



Key features of WVMS



WVMS Professional – Monitoring Console



WVMS Enterprise – Wall & Redundancy



WVMS Facial Recognition Module



WVMS Video Content Analytics



WVMS License Plate Recognition



WVMS Mobile Application

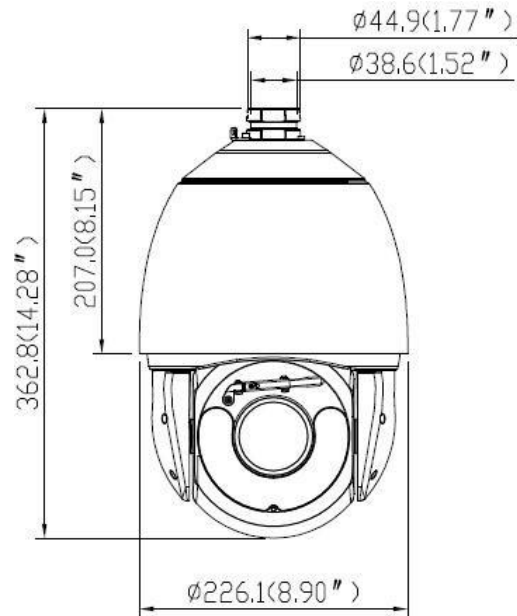
Specification

CAMERA	
Model	IP-30303LPT
Image Sensor	1/1.8" Progressive Scan CMOS
Effective Pixels	2592(H) × 1520(V)
Scanning System	Progressive scanning
AGC Control	Auto
IRIS Type	Auto /Manual
Minimum Illumination	Color: 0.001 Lux @ (F1.5, AGC ON), B/W: 0.0001 Lux @ (F1.5, AGC ON), 0 Lux with IR
Lens	6.8 to 251 mm, 37x Optical zoom
Angle of View	H: 66.1° - 1.8°; V: 39.8° - 1.1°
Shutter Time	Auto/Manual, 1/5 to 1/20,000s
Day & Night	Auto (ICR)/Color/B/W
Wide Dynamic Range	True WDR, 120 dB or above
Noise Reduction	2D; 3D
S/N Ratio	50 dB
IR Range	400m
VIDEO	
Video Compression	H.265, H.264, MJPEG
Image Stabilization	Electronic Image Stabilization (EIS)
Multiple Profile Streaming Performance	Stream1: 2592×1520, 2304×1296, 1920×1080, 1280×720 @25/30fps Stream2: D1, VGA, CIF @25/30fps Stream3: VGA, CIF, QVGA @25/30fps
Max Resolution	2592(H) × 1520(V)
Video Bit Rate	500kbps to 16Mbps
Bitrate Control	Multi Streaming CBR/VBR (Controllable frame rate and Bandwidth)
Digital Noise Reduction	3D-DNR
Privacy Mask	Support 40 zones, mask color configurable
Region of Interest (RoI)	Yes
Other Image Processing	White Balance, Brightness, Contrast, Sharpness, Saturation, Backlight compensation (BLC), Digital Image Stabilizer (DIS, EIS)
Image Orientation	Flip / Mirror / Corridor Mode
EDGE STORAGE	
Storage	Built-in slot , Support up to 256GB
AUDIO	
Audio Streaming	Two Way
Audio Compression	G.711, G.726, AAC, PCM
Audio input / output	1/1

EVENT	
Event Trigger	Video motion detection, External device through digital input, Sound detection, Intelligent event detection
Pre-Post Recording	Pre: 1~5 sec Post: 1~240 sec
NETWORK	
Ethernet Standard	10 / 100 / 1000Base-T
IP	IPv4
Protocol	IPv4, IPv6, TCP/IP, HTTP, HTTPS, RTSP/RTP/RTCP, IGMP/Multicast, SMTP, DHCP, NTP, DNS, DDNS, QoS, SNMP, 802.1X, UDP, ICMP, ARP, TLS
Max. User Access	10 Users
Plug In	Yes, Profile S, Profile G, Profile T, Profile Q, Profile M
PTZ	
Pan / Tilt Range Pan	Pan: 0° to 360° endless, Tilt: -10° to +90°
Pan/Tilt Speed	Pan speed: 0.1° to 300°/s; Tilt speed: 0.1° to 300°/s
Number of Preset	400 preset points
Patrol Scan	6 Track, 12 Scan, 12 Patrol (up to 32 presets each patrol)
	The time can be set (1-240 minutes), and functions such as preset positions, patrols, scans, and tracks can be run.
Idle Motion	
GENERAL	
Material	Aluminum Die-casting, White
External I/O Terminals	7x Alarm In / 2 x Alarm Out
Housing Environmental Rating	IP66
Language on webpage	English
Operating Button	Reset Button
Power Source	24VAC/36VDC/PoE++ (IEEE 802.3bt), Standard Equipped: 36VDC
Power Consumption	High PoE, less than 45W
Operating Conditions	Humidity 10 ~ 90% RH (non-condensing) -40°C to 60°C (-40°F to 140 °F)
Approvals	FCC, CE, RoHS, BIS
Weight	5.5Kg
Dimensions (D x H)	φ226×362.8mm



Dimensions



ACCESSORIES



WSN-BK349
Wall Bracket



WSN-BK348A
Ceiling Bracket



WSN-BK605
Corner Mount



WSN-BK604B
Pole Mount



WSN-BK367
Junction Box



WSN-BK355
Wall Bracket



WSN-BK358
Corner Mount



WSN-BK359
Pole Mount