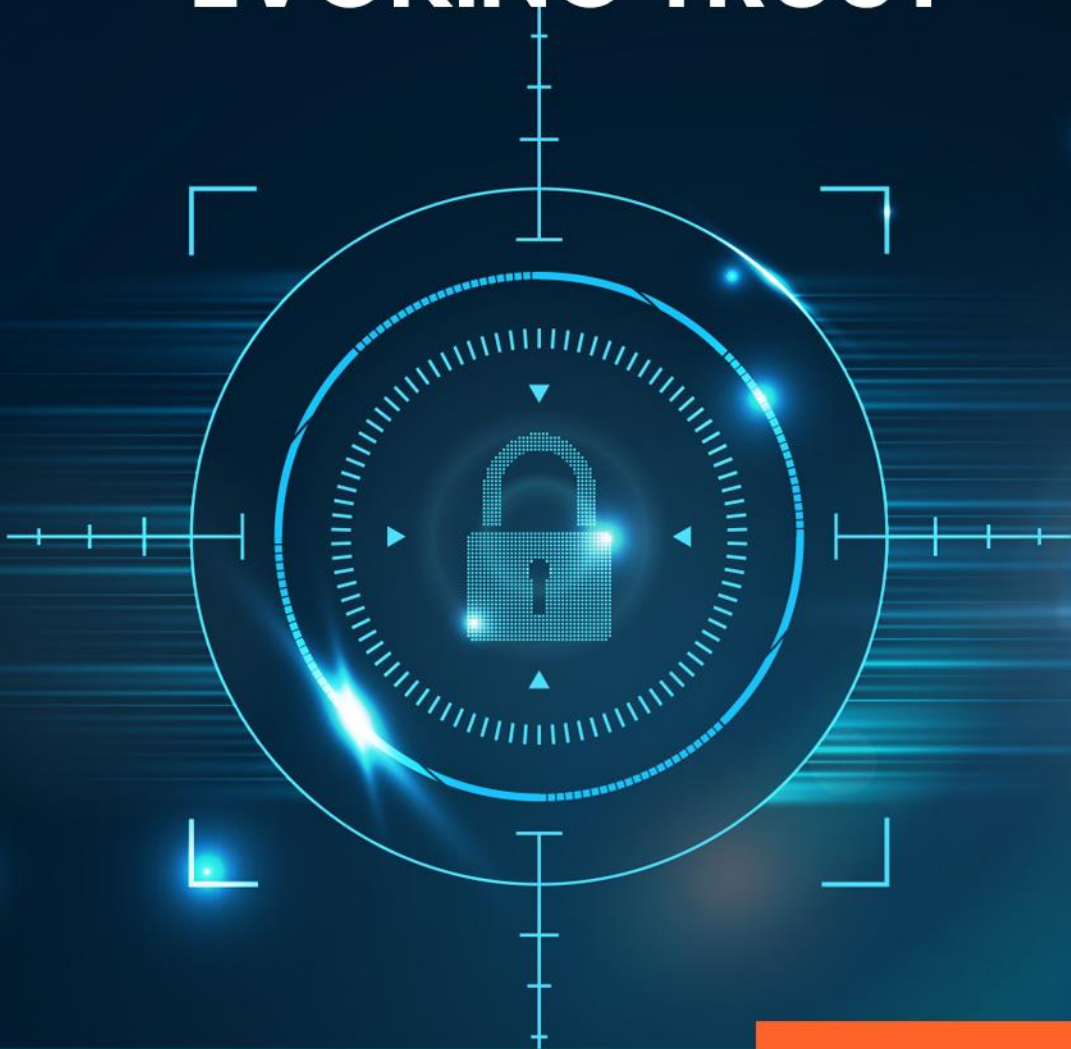




EVOKING TRUST



**Affordable IP-10
Camera Series**



5MP Explosion Proof IR PTZ Camera

IP-10303LPTZE

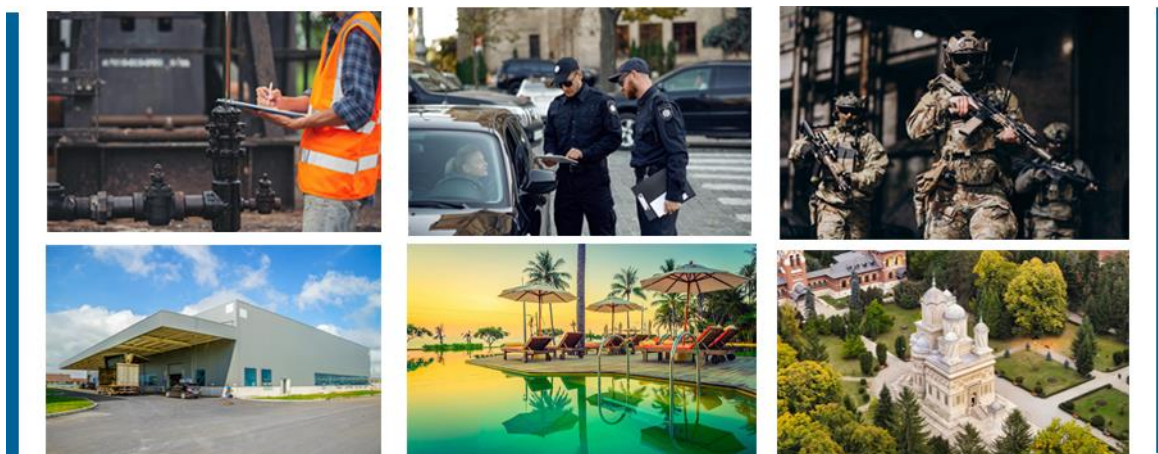


About the Camera : IP 10 Series cameras are affordable latest camera series by Wavesys. The IP 10 series cameras are integrated with Wavesys Open Platform Enterprise Level Video Management Software WVMS. Wavesys is a video-based business intelligence leader with deep knowledge of different applications of intelligent video across distinct verticals.

Key Features

- Full HD 5MP @25/30FPS
- True Day/Night &WDR, Defog supported
- Smart Compression Technology based on bit rate Control, ROI
- ATEX: II 2 G Ex db IIC T6 Gb, Ex II 2 D Ex tb IIIC T80°C Db.
- H.265, H.264 and MJPEG compression
- Supports 30x optical zoom, 16x digital zoom
- IP68 Environmental Housing
- CE, FCC, BIS Certificate

Application



Key features of WVMS



WVMS Professional – Monitoring Console



WVMS Enterprise – Wall & Redundancy



WVMS Facial Recognition Module



WVMS Video Content Analytics



WVMS License Plate Recognition



WVMS Mobile Application

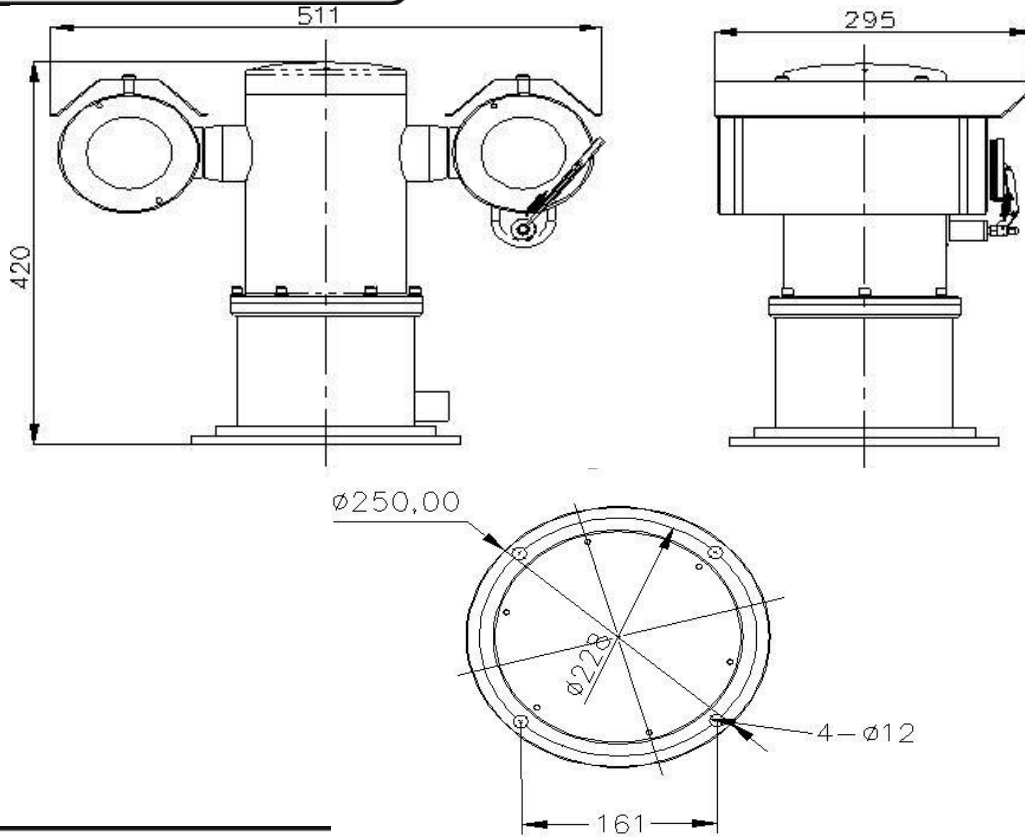
Specification

CAMERA	
Model	IP-10303LPTZE
Image Sensor	1/2.8" CMOS Image Sensor
Effective Pixels	2592(H) × 1944(V)
Scanning System	Progressive scanning
AGC Control	Auto
White balance	Auto/Indoor/Outdoor/Tracking/Manual/Sodium Lamp/Natural Light/Street Lamp
Minimum Illumination	Color: 0.07 Lux @ (F1.6, AGC ON) B/W: 0.02 Lux, 0 Lux with IR on
Region of Interest (RoI)	Off/On (8 Zone, Rectangle)
Angle of View	H: 56.62° ~ 2.48°, V: 42.76° ~ 1.91°
Shutter Time	Auto/Manual, 1/5 ~ 1/20,000s
Day & Night	Auto (ICR)/Color/B/W
Wide Dynamic Range	Support
S/N Ratio	50 dB
Lens	
Optical zoom	30x Optical zoom.16 x Digital Zoom
Lens	5.3mm~159mm
IR	
IR Distance	200 m
VIDEO	
Video Compression	H.265, H.264, MJPEG
Streaming Capability	3 Stream
Multiple Profile Streaming Performance	Stream1: 2592×1944, 2560×1520, 1920×1080, 1280×720 @ 25/30fps Stream2: D1, VGA, CIF @ 25/30fps Stream3: VGA, CIF, QVGA @ 25/30fps
Max Resolution	2592×1944
Video Bit Rate	200kbps~12Mbps
Bitrate Control	Multi Streaming CBR/VBR (Controllable frame rate and Bandwidth)
Digital Noise Reduction	3D-DNR
Privacy Mask	Support
Image Rotation	0°/90°/180°/270° (Support 90°/270° with 2688×1520 resolution and lower)
Other Image Processing	Configurable Exposure, White Balance, Sharpness
Image Orientation	Flip / Mirror / Corridor Mode
Defog	Yes

AUDIO	
Audio Compression	G.711: 8kbps
Audio input / output	1/1
EVENT	
Smart Alarm	Motion detection, Disk alarm, Event alarm
Pre-Post Recording	Pre: 1~5 sec Post: 1~240 sec
NETWORK	
Ethernet Standard	10 / 100 / 1000Base-T
IP	IPv4
Protocol	IPv4, IPv6, TCP / IP, HTTP, HTTPS, UPnP, RTSP / RTP / RTCP, IGMP / Multicast, SMTP, DHCP, NTP, DNS, DDNS, QoS, SNMP, 802.1X, UDP, ICMP, ARP, TLS
Max . User Access	10
Plug In	ONVIF,SDK,CGI
Pan & Tilt	
Pan	Pan: 0° ~ 360° endless, Speed:0.1° ~ 30°/s,
Tilt	Tilt: -90° ~ +90°,Speed:0.1° ~ 20°/s
Preset	400
GENERAL	
Material	Aluminum Die-casting, White
External I/O Terminals	5/1
Language on webpage	English
Power Source	AC100~240V
Power Consumption	Less than 75 W
Operating Conditions	Humidity 10 ~ 90% RH (non-condensing) (-40°C ~ 60°C (-40°F ~ 140 °F)
Approvals	FCC, CE,BIS ATEX: Ex II 2G Ex db op is IIC T6 Gb /Ex 2D tb op is IIIC T80°C Db, IECEX: Ex db op is IIC T6 Gb /Ex tb op is IIIC T80°C Db
Explosion proof Certificate	
Ingress protection	IP68
Weigh	38 kg
Dimensions (D x H)	530×295×420mm
Housing	
Housing	SUS316L



Dimensions



ACCESSORIES



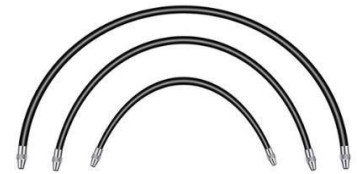
WSN-BK402-SS
Wall Mount



WSN-BK400-SS(P/F/D)
Junction Box



WSN-CPL10A-SS
Washing Tank



Flexible
Tube