



**EVOKING TRUST**



**Affordable IP-10  
Camera Series**



# 5 MP Explosion Proof IR Fixed Camera

## IP-10303LBXEZ

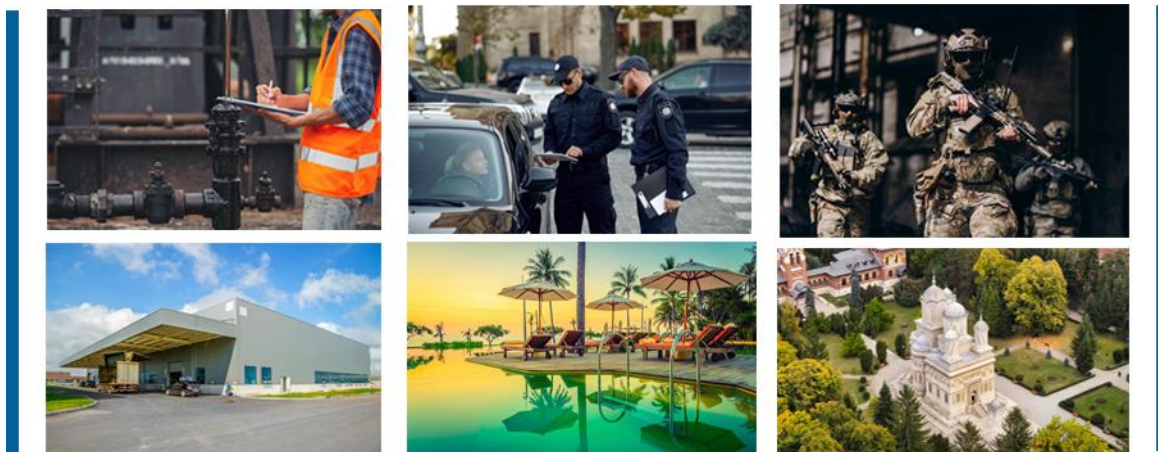


**About the Camera :** IP 10 Series cameras are affordable latest camera series by Wavesys. It is built on advanced system-on-chip technology ,NDAA compliant & Sony Starvis Sensors. The IP 10 series cameras are integrated with Wavesys Open Platform Enterprise Level Video Management Software WVMS. Wavesys is a video-based business intelligence leader with deep knowledge of different applications of intelligent video across distinct verticals.

## Key Features

- Full HD 5MP 25/30 FPS
- True Day/Night &WDR
- Smart Compression Technology based on bit rate Control, ROI
- ATEX: II 2 G Ex db op is IIC T6 Gb, Ex II 2 D Ex tb op is IIC T80°C Db.
- H.265, H.264 and MJPEG compression
- Supports 30x optical zoom, 16x digital zoom
- IP68 Environmental Housing
- IR distance: up to 200m
- CE, FCC, BIS Certificate

## Application



### Key features of WVMS



WVMS Professional – Monitoring Console



WVMS Enterprise – Wall & Redundancy



WVMS Facial Recognition Module



WVMS Video Content Analytics



WVMS License Plate Recognition



WVMS Mobile Application

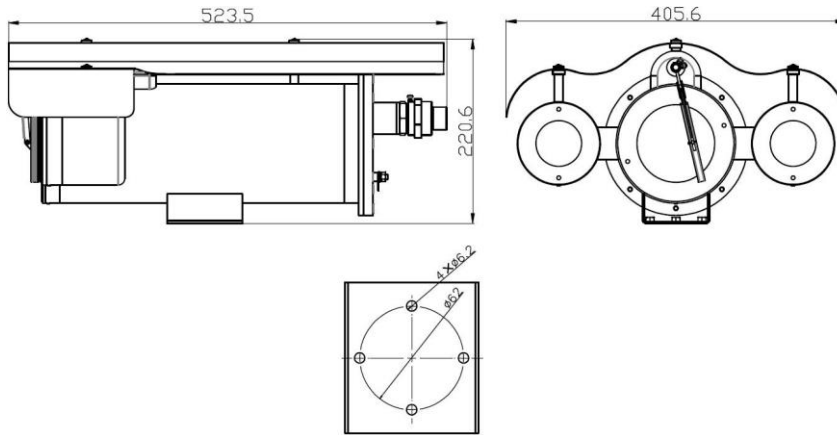
### Specification

CAMERA	
Model	IP-10303LBXEZ
Image Sensor	1/1.8" CMOS Image Sensor
Effective Pixels	2592(H) x 1944(V)
Scanning System	Progressive scanning
AGC Control	Auto
White balance	Auto/Indoor/Outdoor/Tracking/Manual/Sodium Lamp/Natural Light/Street Lamp
Minimum Illumination	Color: 0.07 Lux @ (F1.6, AGC ON) B/W: 0.02 Lux, 0 Lux (IR LED ON)
Region of Interest (RoI)	Off/On (8 Zone, Rectangle)
Angle of View	H: 56.62° ~ 2.48°, V: 42.76° ~ 1.91°
Shutter Time	Auto/Manual, 1/5 ~ 1/20,000s
Day & Night	Auto (ICR)/Color/B/W
Wide Dynamic Range	Support
S/N Ratio	50 dB
Lens	
Optical zoom	30x Optical, 16x Digital zoom
Lens	5.3 mm ~ 159 mm
IR distance	upto 200 m
VIDEO	
Video Compression	H.265, H.264, MJPEG
Streaming Capacity	3 Stream
Multiple Profile Streaming Performance	Stream1: 2592x1944, 2560x1520, 1920x1080, 1280x720 @ 25/30fps Stream2: D1, VGA, CIF @ 25/30fps Stream3: VGA, CIF, QVGA @ 25/30fps
Max Resolution	2592x1944
Video Bit Rate	200kbps~12Mbps
Bitrate Control	Multi Streaming CBR/VBR (Controllable frame rate and Bandwidth)
Digital Noise Reduction	3D-DNR
Privacy Mask	Support
Image Rotation	0°/90°/180°/270° (Support 90°/270° with 2688x1520 resolution and lower)
Other Image Processing	Configurable Exposure, White Balance, Sharpness
Image Orientation	Flip / Mirror / Corridor Mode

AUDIO	
Audio Compression	G.711: 8kbps, RAW_PCM: 16kbps
Audio input / output	1/1
EVENT	
Smart Alarm	Motion detection, I/O alarm, Disk alarm, Event alarm
Pre-Post Recording	Pre: 1~5 sec Post: 1~240 sec
NETWORK	
Ethernet Standard	10 / 100 / 1000Base-T
IP	IPv4
Protocol	IPv4, IPv6, TCP / IP, HTTP, HTTPS, UPnP, RTSP / RTP / RTCP, IGMP / Multicast, SMTP, DHCP, NTP, DNS, DDNS, QoS, SNMP, 802.1X, UDP, ICMP, ARP, TLS
Max User Access	10
Plug In	ONVIF, SDK, CGI
GENERAL	
Material	Aluminum Die-casting, White
External I/O Terminals	2/1
Language on webpage	English
Power Source	AC100~240V
Power Consumption	Less than 36 W
Operating Conditions	Humidity 10 ~ 90% RH (non-condensing) -40°C ~ 60°C (-40°F ~ 140 °F)
Approvals	FCC, CE, BIS ATEX: Ex II 2G Ex db op is IIC T6 Gb / Ex 2D tb op is IIIC T80°C Db, IECEX: Ex db op is IIC T6 Gb / Ex tb op is IIIC T80°C Db
Explosion proof Certificate	IECEX: Ex db op is IIC T6 Gb / Ex tb op is IIIC T80°C Db
Ingress protection	IP68
Memory card	Micro SD Card slot (up to 256 GB)
Dimensions (D x H), weight	523.5x405.6x220.6mm, 18kg
Housing	
Housing	SUS316L



## Dimensions



## ACCESSORIES



WSN-BK401-SS  
Wall Mount



WSN-BK400-SS(P/F/D)  
Junction Box



SN-CPL10A-SS  
Washing Tank



Flexible Tube