



**EVOKING TRUST**



**Affordable Series  
IP-10 Camera Series**



# STARVIS 5MP Compact IR Bullet IP Camera



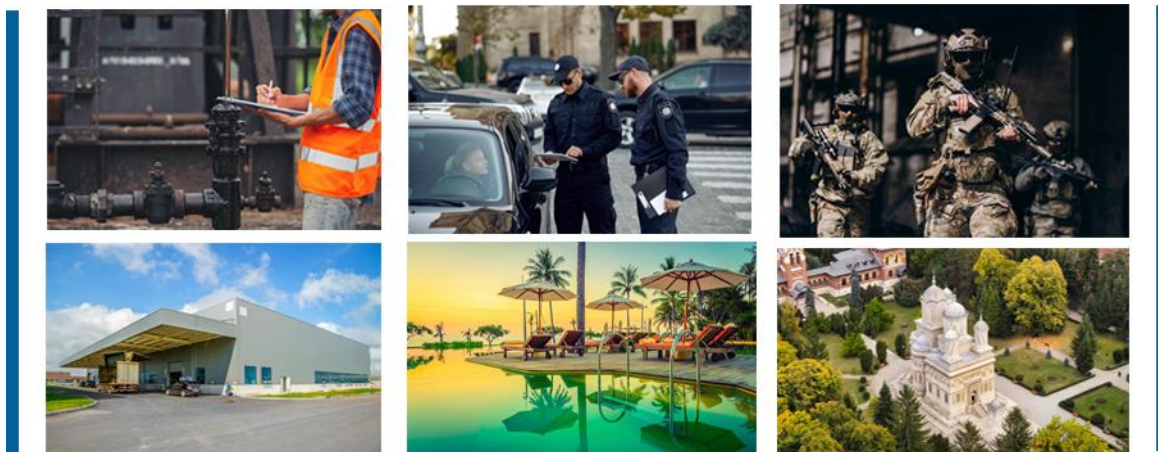
## IP-10303LBO

**About the Camera :** IP 10 Series cameras are affordable latest camera series by Wavesys. It is built on advanced system-on-chip technology from California based company ,Sony Starvis Sensors. The IP 10 series cameras are integrated with Wavesys Open Platform Enterprise Level Video Management Software WVMS. Wavesys is a video-based business intelligence leader with deep knowledge of different applications of intelligent video across distinct verticals.

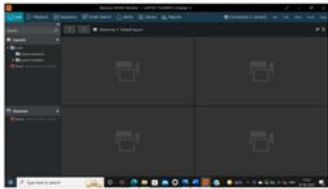
## Key Features

- Full HD 5MP @30FPS
- True Day/Night
- True WDR
- Power over Ethernet (IEEE 802.3af)
- H.265, H.264 and MJPEG compression
- 2.8 ~12 mm lens
- IP66 & IK10 Environmental Housing
- CE, FCC, BIS & RoHS Certification

## Application



### Key features of WVMS



WVMS Professional – Monitoring Console



WVMS Enterprise – Wall & Redundancy



WVMS Facial Recognition Module



WVMS Video Content Analytics



WVMS License Plate Recognition



WVMS Mobile Application

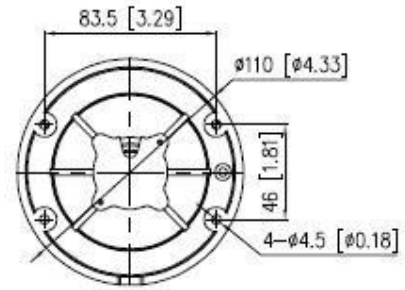
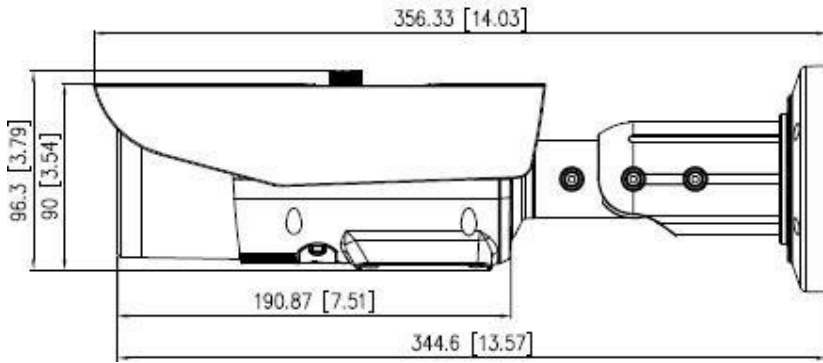
### Specification

CAMERA	
Model	IP-10303LBO
Image Sensor	1/2.8" Progressive Scan CMOS
Effective Pixels	2592(H) x 1944(V)
Scanning System	Progressive scanning
AGC Control	Auto
IRIS Type	Auto
Minimum Illumination	Color: 0.03 Lux @ (F1.6, AGC ON), B/W: 0 Lux with IR
Lens	2.7~12 mm mm, F1.6
Angle of View	H: 100.2° to 31.1°, V: 71.6° to 23.2°
Shutter Time	Auto/Manual, 1/5 to 1/20,000s
Day & Night	True Day & Night (Removable IR-cut filter)
Wide Dynamic Range	True WDR ,120dB
S/N Ratio	50 dB
IR ILLUMINATOR	
Smart IR	Advanced Smart IR
IR Working Distance	upto 60 m, depend upon object size
VIDEO	
Video Compression	H.265, H.264, MJPEG
Region of Interest (ROI)	Off/On (8 Zone, Rectangle)
Multiple Profile Streaming Performance	Stream1: 2592x1944, 2592x1520, 1920x1080, 1280x720 @25/30fps Stream2: D1, VGA, CIF @25/30fps Stream3: VGA, CIF, QVGA @25/30fps
Max Resolution	2592 x 1944
Video Bit Rate	100Kbps ~ 10Mbps Multi-rate for Preview and Recording
Bitrate Control	Multi Streaming CBR/VBR (Controllable frame rate and Bandwidth)
Digital Noise Reduction	3D-DNR
Privacy Mask	Support
Other Image Processing	Configurable Exposure, White Balance, Sharpness
Image Orientation	Flip / Mirror / Corridor Mode

AUDIO	
Audio Compression	G.711, RAW_PCM
Audio input / output	1 / 1
EVENT	
Event Trigger	Motion Alarm, Temperature critical, DI
Pre-Post Recording	Pre: 1~5 sec Post: 1~240 sec
Event Notification	FTP, E-mail, Alarm-out, SD card
NETWORK	
Ethernet Standard	10 / 100 / 1000Base-T
IP	IPv4
Protocol	IPv4/IPv6, HTTP, HTTPS, TCP/UDP, RTSP/RTCP/RTP, DHCP, DNS, DDNS, PPPoE, SMTP, 802.1x, UPnP, FTP, NTP, ARP, SNMP, TLS/SSL
Max. User Access	10 Users
Plug In	ONVIF Profile S, CGI API
GENERAL	
Material	Aluminum Die-casting, White
External I/O Terminals	1 / 1
Language on webpage	English
Power Source	DC12V, PoE(IEEE 802.3af)
Power Consumption	DC12V Max 6 W, PoE Max 8W
Operating Conditions	Humidity 10 ~ 90% RH (non-condensing) [DC12V / PoE] -40°C ~ 55°C (-40°F ~ 131°F)
Dimensions	φ110 × 356.3mm
Weight	1.45 kg
Approvals	FCC, CE, RoHS, BIS, IP66 & IK10
EDGE STORAGE	
Storage	1x microSD / microSDHC / microSDXC (card not included), support up to 256GB



**Dimensions**



**ACCESSORIES**



WSN-CBK649B  
Junction Box



WSN-CBK627D  
Pole Mount