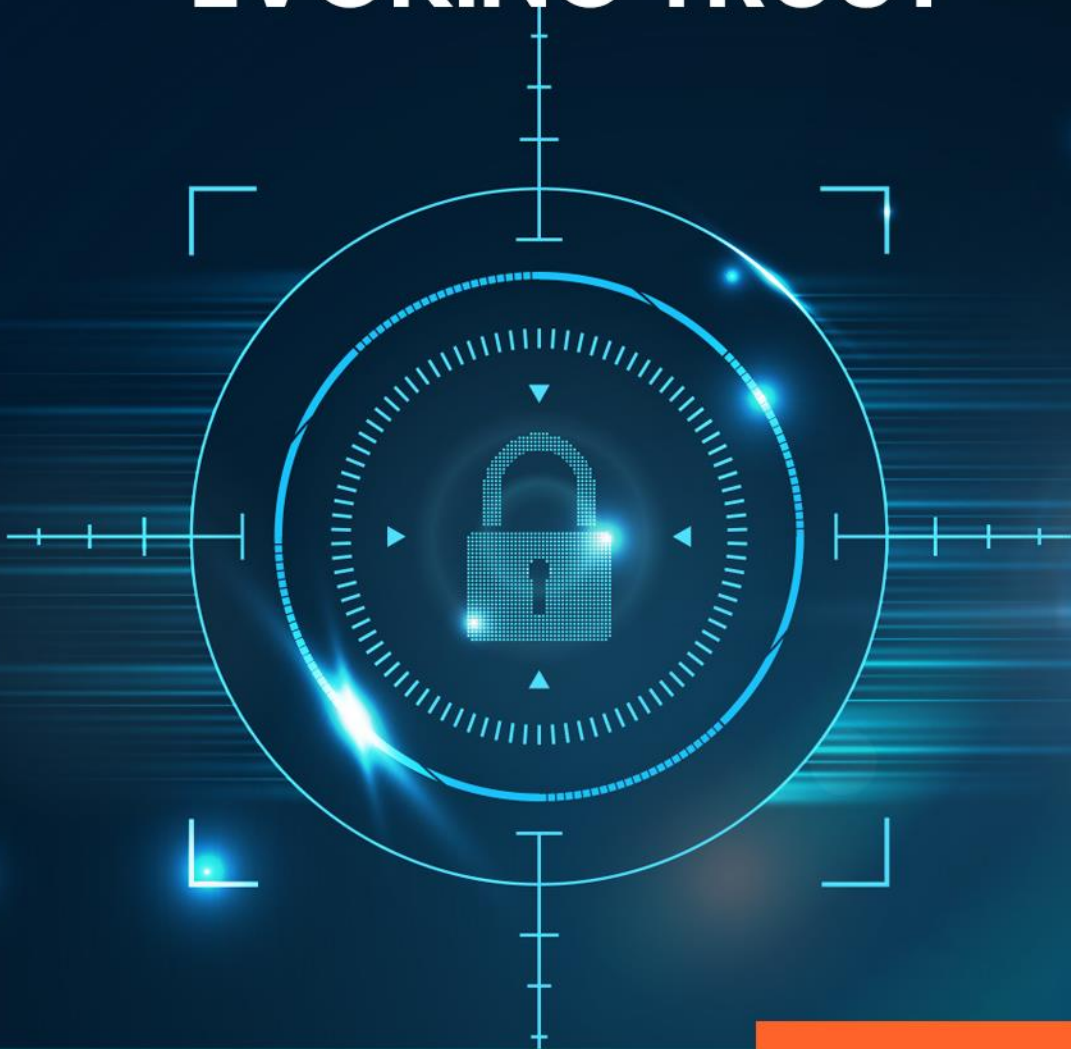




EVOKING TRUST



Affordable Series
IP-10 Camera Series



5MP IR Dome IP Camera

IP-10301LDI



About the Camera : IP 10 Series cameras are affordable latest camera series by Wavesys. It is built on advanced system-on-chip technology ,NDAA Compliant and Sony Starvis Sensors. The IP 10 series cameras are integrated with Wavesys Open Platform Enterprise Level Video Management Software WVMS. Wavesys is a video-based business intelligence leader with deep knowledge of different applications of intelligent video across distinct verticals.

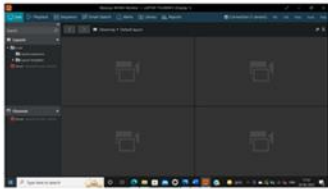
Key Features

- Full HD 5MP @30FPS
- True Day/Night &WDR
- 2.8mm fixed lens (4mm optional)
- Power over Ethernet (IEEE 802.3af)
- H.265, H.264 and MJPEG compression
- Smart IR distance up to 30m
- IP67 & IK10 Environmental Housing
- CE, FCC, BIS & RoHS Certification

Application



Key features of WVMS



WVMS Professional – Monitoring Console



WVMS Enterprise – Wall & Redundancy



WVMS Facial Recognition Module



WVMS Video Content Analytics



WVMS License Plate Recognition



WVMS Mobile Application

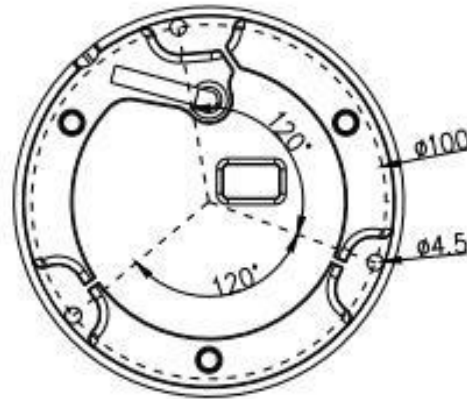
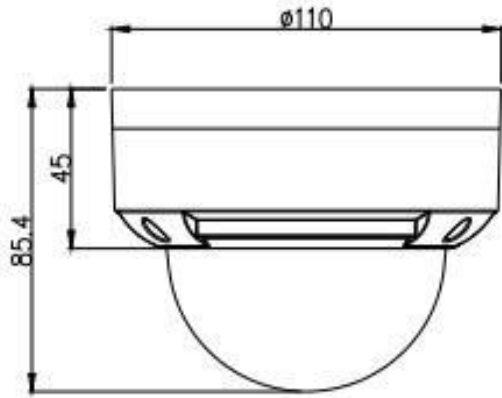
Specification

CAMERA	
Model	IP-10301LDI
Image Sensor	1/2.8" Progressive Scan CMOS
Effective Pixels	2592(H) x 1944(V)
Scanning System	Progressive scanning
AGC Control	Auto
IRIS Type	Fixed
Minimum Illumination	Color: 0.03 Lux @ (F1.6, AGC ON), B/W: 0 Lux with IR
Lens	2.8 mm, F2.0
Angle of View	H: 93.4°, V: 69.1°
Shutter Time	Auto/Manual, 1/5 to 1/20,000s
Day & Night	True Day & Night (Removable IR-cut filter)
Wide Dynamic Range	True WDR
Aisle Mode	Support
S/N Ratio	50 dB
IR ILLUMINATOR	
Smart IR	Advanced Smart IR
IR Working Distance	Up to 30m ,depend upon object size
VIDEO	
Video Compression	H.265, H.264, MJPEG
Streaming Capability	3
Multiple Profile Streaming Performance	Stream1: 1920x1080, 1280x720 @25/30fps Stream2: D1, VGA, CIF @ 25/30fps Stream3: VGA, CIF, QVGA @ 25/30fps
Max Resolution	2592 x 1944
Video Bit Rate	100Kbps ~ 10Mbps Multi-rate for Preview and Recording
Bitrate Control	Multi Streaming CBR/VBR (Controllable frame rate and Bandwidth)
Digital Noise Reduction	3D-DNR
Privacy Mask	4 programmable zones
Region of Interest	Off/On (8 areas, Rectangle)
Other Image Processing	Configurable Exposure, White Balance, Sharpness
Image Enhancement	HLC, BLC, Defog

AUDIO	
Audio Compression	G.711, RAW_PCM
Audio input / output	1/1
EVENT	
Event Trigger	Disk alarm, Network alarm, I/O alarm, Motion detection alarm, Abnormal sound detection
Pre-Post Recording	Pre: 1~5 sec Post: 1~240 sec
NETWORK	
Ethernet Standard	10 / 100 / 1000Base-T
IP	IPv4
Protocol	IPv4/IPv6, RTSP/ RTCP/RTP, TCP/UDP, HTTPS, DHCP, DNS, DDNS, PPPoE, UPnP, ICMP, IGMP, FTP, NTP, SMTP, 802.1x, SNMP
Max. User Access	10
Plug In	ONVIF, SDK, CGI
GENERAL	
Casing	Metal
External I/O Terminals	1/1
Language on webpage	English
Power Source	DC12V, PoE(IEEE 802.3af)
Power Consumption	Max 5.5 W (IR ON)
Operating Conditions	Humidity 10 ~ 90% RH (non-condensing) [DC12V / PoE] -30°C ~ 60°C (-22°F ~ 122°F)
Approvals	FCC, CE, RoHS,BIS,IP66 & IK10
Weight	0.47kg
Dimensions (D x H)	φ110 × 85.4mm
EDGE STORAGE	
Storage	Built-in, up to 256GB



Dimensions



ACCESSORIES



WSN-CBK656
Junction Box



WSN-CBK202
Pendant Cap



WSN-CBK402
Pendant Mount



WSN-CBK501
Wall Mount



WSN-CBK502
Wall Mount



WSN-CBK101
Pole Mount



WSN-CBK102
Corner Mount