



**EVOKING TRUST**



**Affordable Series  
IP-10 Camera Series**



# STARVIS 2MP Compact IR Dome IP Camera IP-10203LDO



**About the Camera :** IP 10 Series cameras are affordable latest camera series by Wavesys. It is built on advanced system-on-chip technology, NDA Compliant and Sony Starvis Sensors. The IP 10 series cameras are integrated with Wavesys Open Platform Enterprise Level Video Management Software WVMS. Wavesys is a video-based business intelligence leader with deep knowledge of different applications of intelligent video across distinct verticals.

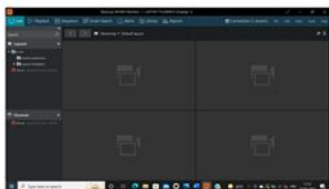
## Key Features

- Full HD 2MP@30FPS
- True Day/Night &WDR
- WDR, 3D DNR, ROI, HLC, BLC, Defog
- Power over Ethernet (IEEE 802.3af)
- H.265, H.264 and MJPEG compression
- Smart IR technology
- IP66 & IK10 Environmental Housing
- CE, FCC, BIS & RoHS Certification

## Application



### Key features of WVMS



WVMS Professional – Monitoring Console



WVMS Enterprise – Wall & Redundancy



WVMS Facial Recognition Module



WVMS Video Content Analytics



WVMS License Plate Recognition



WVMS Mobile Application

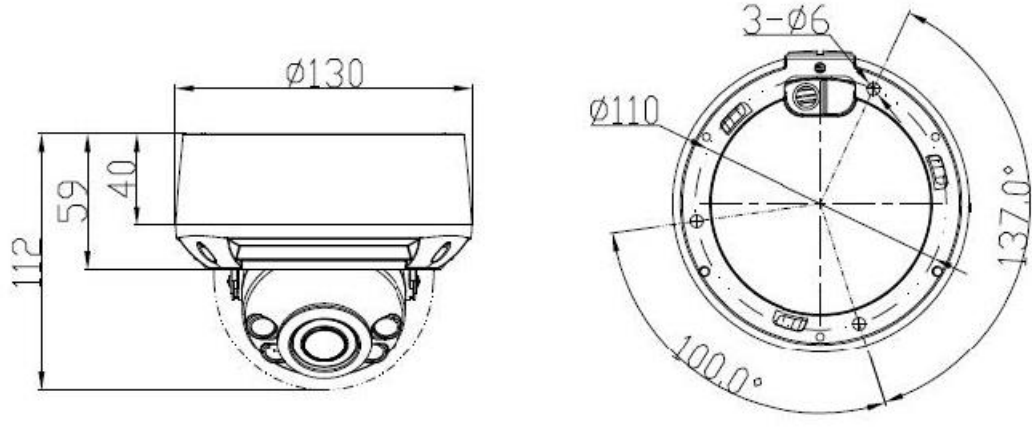
### Specification

CAMERA	
Model	IP-10203LDO
Image Sensor	1/2.8" Progressive Scan CMOS
Effective Pixels	1920(H) x 1080(V)
Scanning System	Progressive scanning
AGC Control	Auto
IRIS Type	Auto
Minimum Illumination	Color: 0.01 Lux @ (F1.6, AGC ON), B/W: 0 Lux with IR
Lens	2.7 ~ 12 mm MFZ lens
Angle of View	H: 101° to 29.3°, V: 54.0° to 12.6°
Shutter Time	Auto/Manual, 1/5 ~ 1/20,000s
Day & Night	True Day & Night (Removable IR-cut filter)
Wide Dynamic Range	True WDR
Aisle Mode	Support
S/N Ratio	50 dB
IR ILLUMINATOR	
Smart IR	Advanced Smart IR
IR Working Distance	up to 40m, depend upon object size
VIDEO	
Video Compression	H.265, H.264, MJPEG
Streaming Capability	3
Multiple Profile Streaming Performance	Stream1: 1920x1080, 1280x720 @ 25/30fps Stream2: D1, VGA, CIF @ 25/30fps Stream3: VGA, CIF, QVGA @ 25/30fps
Max Resolution	1920x1080
Video Bit Rate	100Kbps ~ 12Mbps Multi-rate for Preview and Recording
Bitrate Control	Multi Streaming CBR/VBR (Controllable frame rate and Bandwidth)
Digital Noise Reduction	3D-DNR
Privacy Mask	Support
Region of Interest	Off/On (8 areas, Rectangle)
Other Image Processing	Configurable Exposure, White Balance, Sharpness
Image Enhancement	HLC, BLC, Defog

AUDIO	
Audio Compression	G.711, RAW_PCM
Audio input / output	1/1
EVENT	
Event Trigger	Disk alarm, Network alarm, I/O alarm, Motion detection alarm
Pre-Post Recording	Pre: 1~5 sec Post: 1~240 sec
NETWORK	
Ethernet Standard	10 / 100 / 1000Base-T
IP	IPv4
Protocol	IPv4/IPv6, 802.1x, HTTP, HTTPS, TCP/IP, UDP/IP, RTSP, DHCP, NTP, RTPC/RTP, PPPoE, SMTP, DNS, UPnP, FTP, ARP, SNMP, TLS/SSL
Max. User Access	10 Users
Plug In	ONVIF, SDK, CGI
GENERAL	
Material	metal
External I/O Terminals	1/1
Language on webpage	English
Power Source	DC12V, PoE(IEEE 802.3af)
Power Consumption	DC12V, 3W (IR OFF), Max 5W (IR ON)
Operating Conditions	Humidity 10 ~ 90% RH (non-condensing) [DC12V / PoE] -30°C ~ 60°C (-22°F ~ 122°F)
Approvals	FCC, CE, RoHS, BIS, IP66, IK10
Weigh	0.75kg
Dimensions (D x H)	Ø130mm x 112mm
EDGE STORAGE	
Storage	1x microSD / microSDHC / microSDXC (card not included), support up to 256 GB



**Dimensions**



**ACCESSORIES**



WSN-CBK657  
Junction Box



WSN-CBK201  
Pendant Cap



WSN-CBK402  
Pendant Mount



WSN-CBK501  
Wall Mount



WSN-CBK502  
Wall Mount



WSN-CBK101  
Pole Mount



WSN-CBK102  
Corner Mount