



**EVOKING TRUST**



**Multi Layered Deep Learning  
Analytics at Edge  
IP-50 Camera Series**



# STARVIS 5MP IR Bullet Ai IP CAMERA

## IP-50303LBOV622



About the Camera : IP 50 Series cameras are Artificial Intelligence powered latest camera series by Wavesys. It is built on advanced system-on-chip technology from California based company Ambarella and Sony Starvis Sensors. The IP50 series cameras are integrated with Wavesys Open Platform Enterprise Level Video Management Software WVMS. Wavesys is a video-based business intelligence leader with deep knowledge of different applications of intelligent video across distinct verticals.

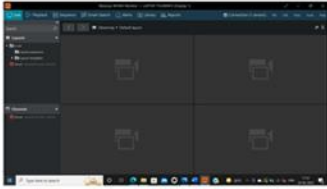
## Key Features

- . 30fps at 5MP
- . WaveStream: Smart Compression Technology based on bit rate Control, ROI
- . Power over Ethernet (IEEE 802.3af)
- . UL, CE, FCC, BIS & RoHS Certification
- . H.265, H.264 and MJPEG compression
- . WaveVCA\*: Intelligence built-in Camera Analytics
- . IP67 and IK10 Environmental Housing
- . P Iris with Motorized Remote Zoom and Focus
- . Deep Learning Object Tracker/People Tracker

## Application



### Key features of WVMS



WVMS Professional – Monitoring Console



WVMS Enterprise – Wall & Redundancy



WVMS Facial Recognition Module



WVMS Video Content Analytics



WVMS License Plate Recognition



WVMS Mobile Application

### Specification

CAMERA	
Model	IP-50303LBOV622
Image Sensor	SONY STARVIS EXMOR 1/2.8" 5.14M CMOS
Effective Pixels	2592(H) x 1944(V)
Scanning System	Progressive scanning
AGC Control	Auto
IRIS Type	P-IRIS
Minimum Illumination	COLOR: 0.05Lux,BW: 0Lux with IR
Lens	6mm-22 mm, F1.6
Angle of View	D:20.7°~49.6°, H:16.5°~39.2°, V:12.4°~29.2
Shutter Time	Auto / Manual: 1/30 ~ 1/32,000, Anti-Flicker, Slow Shutter (1/2,1/3,1/5,1/6,1/7.5,1/10)
Day & Night	True Day & Night (Removable IR-cut filter)
Wide Dynamic Range	True WDR ,120dB or above
Smart Capture Technology	WaveCapture: Smart Advanced Wide Dynamic Capture for high details in challenging conditions
S/N Ratio	50 dB
IR ILLUMINATOR	
Smart IR	WaveIR :- Advanced Smart IR
IR LED	6x High Power LED
IR Working Distance	35 m,depend upon the object size
VIDEO	
Video Compression	H.265, H.264, MJPEG
Profile	H.264 : MP / HP H.265 : MP
Multiple Profile Streaming Performance	2592x1944p30 + 1080p15 with H.264,H265 + MJPEG
Max Resolution	2592 x 1944
Video Bit Rate	100Kbps ~ 10Mbps Multi-rate for Preview and Recording
Bitrate Control	Multi Streaming CBR/VBR (Controllable frame rate and Bandwidth)
Digital Noise Reduction	3D-DNR
Privacy Mask	16 programmable zones
Special Features	WaveStream: Smart Compression Technology based on bit rate Control- Region of Interest
Other Image Processing	Configurable Exposure, White Balance, Sharpness
Image Orientation	Flip / Mirror / Corridor Mode
Analogue Output	1 (Installation only) CVBS 1.0V p-p (75Ω), 4:3 aspect ratio

AUDIO	
Audio Streaming	Two way
Audio Compression	G.711
Audio input / output	1/1
EVENT	
Event Trigger	Motion Alarm, Temperature critical, DI
Smart Edge Analytics*	WaveVCA: Intelligence built-in Cameras Analytics*
Pre-Post Recording	Pre: 1~5 sec Post: 1~240 sec
Event Notification	FTP, E-mail, Alarm-out, SD card
NETWORK	
Ethernet Standard	10 / 100 / 1000Base-T
IP	IPv4
Protocol	TCP/IP, UDP, AutoIP, RTP(UDP/TCP), RTSP, NTP, HTTP, HTTPS, SSL, DNS, DDNS, DHCP, FTP, SMTP, ICMP, SNMPv1/v2/v3(MIB-2), ONVIF
Security	HTTPS(SSL), IP filtering, 802.1x, Digest Authentication
Plug In	ONVIF Profile S, CGI API
GENERAL	
Material	Aluminum Die-casting, White
External I/O Terminals	1 x Alarm In / 1 x Alarm Out
Language on webpage	English
Power Source	DC12V, PoE+(IEEE 802.3at Class 4) DC Max 8.8W
Power Consumption	PoE Max 11.1W
Operating Conditions	Humidity 10 ~ 90% RH (non-condensing) [DC12V / PoE] -20°C ~ 50°C (-40°F ~ 122°F)
Cold Start	Supported
Approvals	FCC, CE, IP67, IK10,UL
NDAA	Compliant
Weight	0.97kg
Dimensions (D x H)	197.5mm x 86mm
EDGE STORAGE	
Storage	1x microSD / microSDHC / microSDXC (card not included)





## WaveVCA : Intelligence built-in Cameras Analytics

### Basic features

**Analytics Engine** WVCA Technology's advanced tracking algorithm with rich library of detection behaviors

**Detection Zones** and Rules 40 zones (Multi-segment Polygons and Lines) in total, 60 rules in total as standard

**Intrusion Detection** Detection of the presence an object

**Tamper Detection** Supported as standard

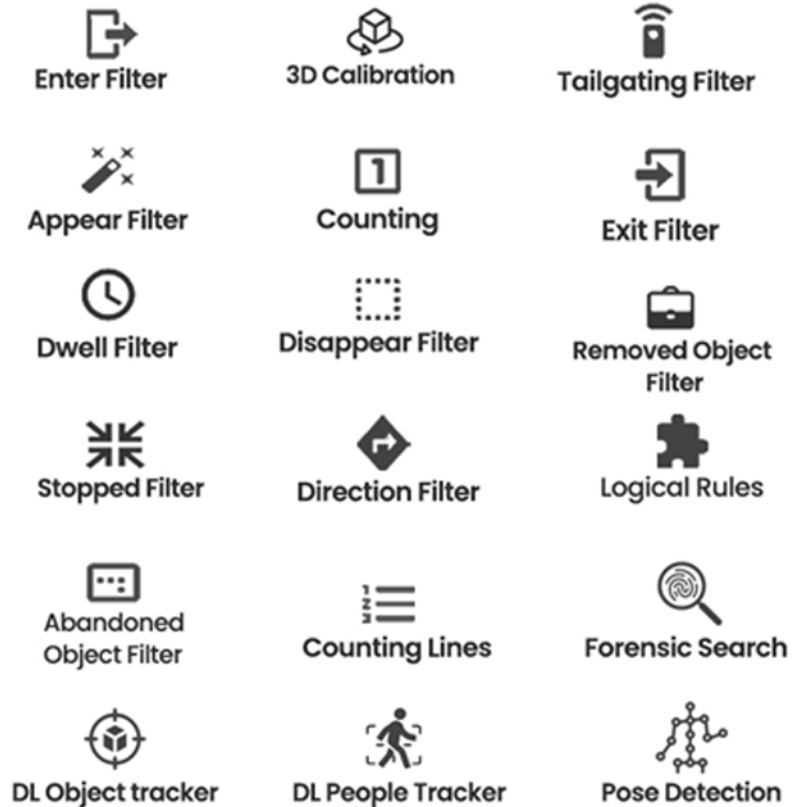
**Detection Behavior** Enter, Exit, Appear, Disappear, Stop, Direction, Dwell filter, Abandoned/Removed object filter, Tailgating

**Logical Rules** Extends standard rules to allow various combinations of the inputs

**3D Behavior** Perspective Corrected Size and Speed Filters

**Object Classification** - Configured Max./Min. object sizes and Max./Min. speeds  
Counting Line High accuracy people and vehicle counting, 20 counters in total

**Meta Data** JSON format, Plain XML format

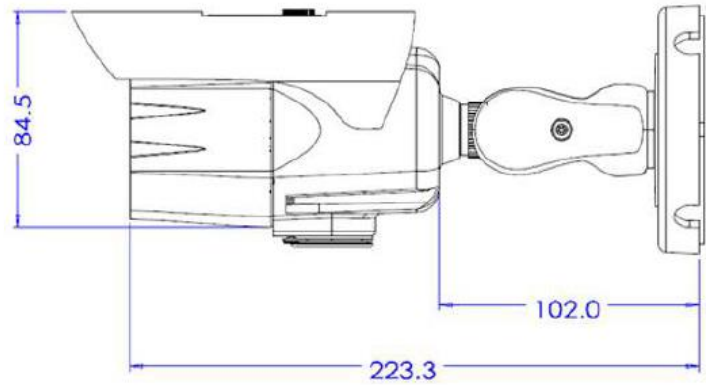
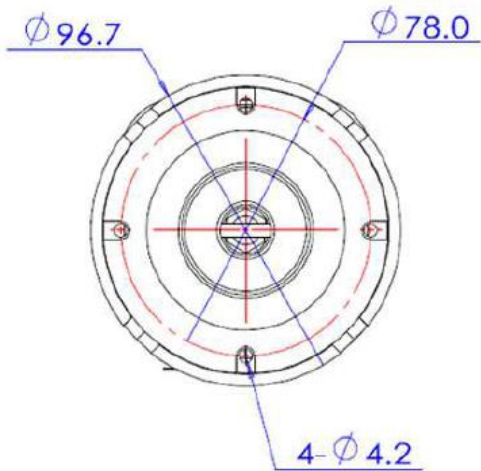


### Optional features

**Forensic Search** Works with age, sentiment, gender, and ethnicity estimation



## Dimensions



## ACCESSORIES



**BP07**