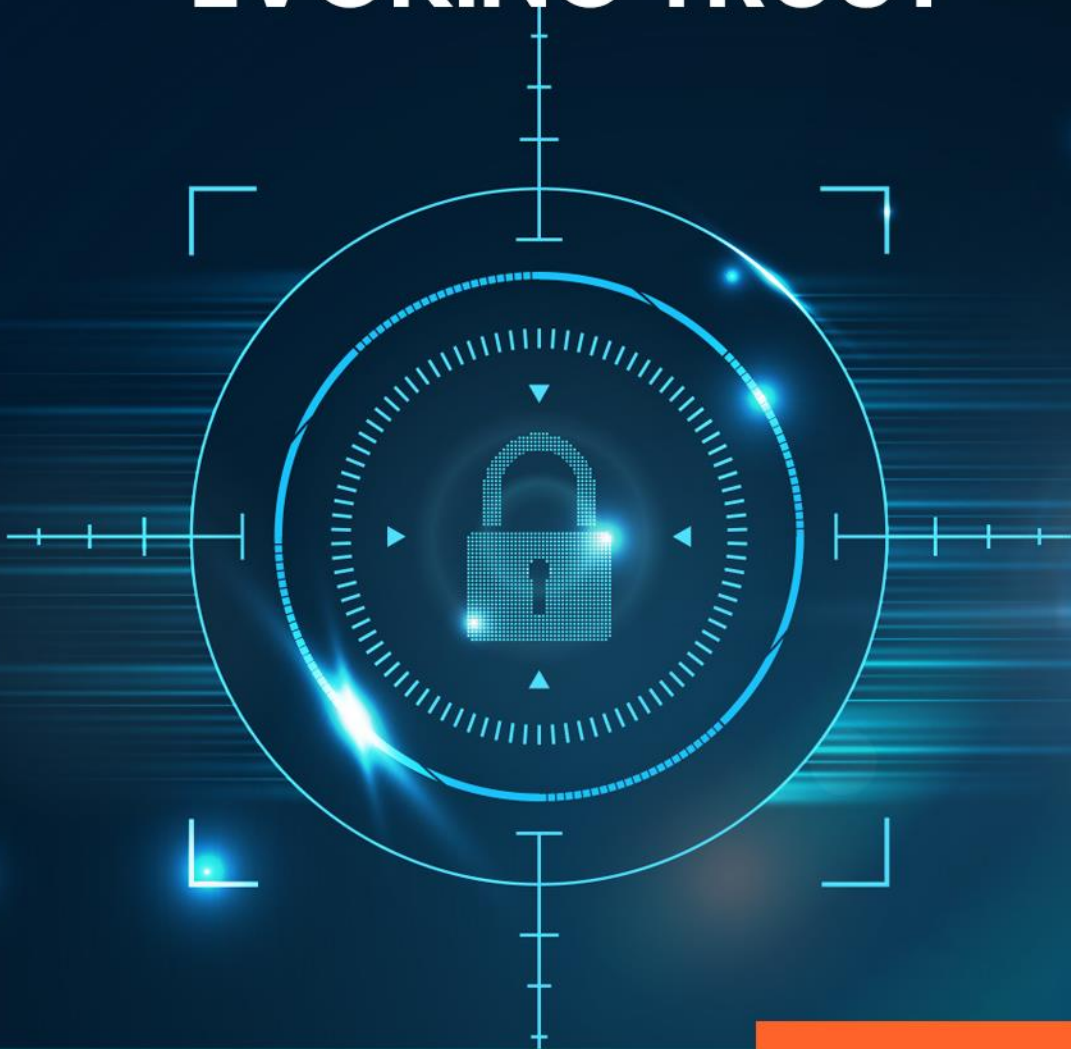




EVOKING TRUST



**Affordable IP-10
Camera Series**



4MP 32x IR PTZ Camera IP-10403LPT

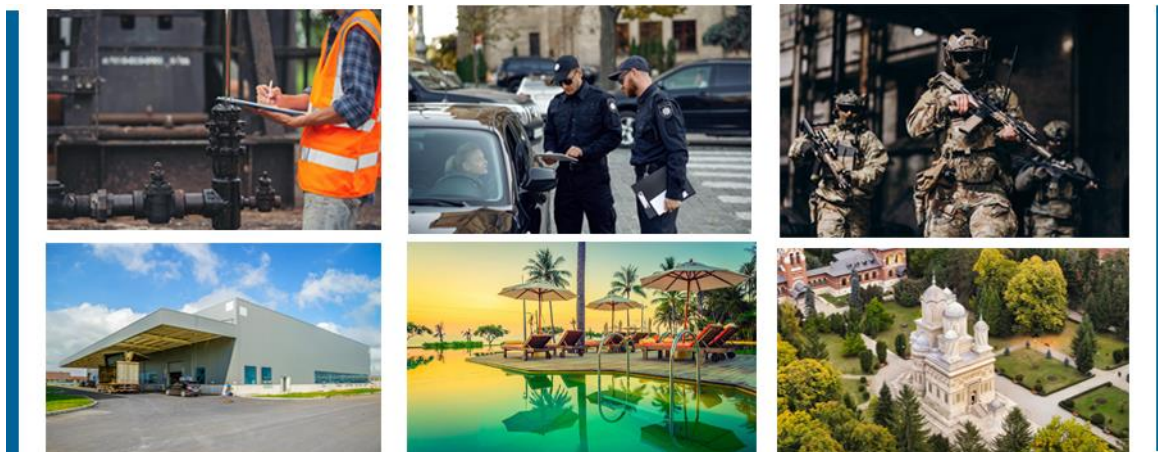


About the Camera : IP 10 Series cameras are affordable latest camera series by Wavesys. It is built on advanced system-on-chip technology from California based company Ambarella and Sony Starvis Sensors. The IP 10 series cameras are integrated with Wavesys Open Platform Enterprise Level Video Management Software WVMS. Wavesys is a video-based business intelligence leader with deep knowledge of different applications of intelligent video across distinct verticals.

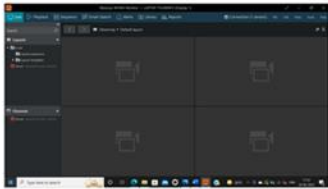
Key Features

- Full HD 4 MP @30FPS
- True Day/Night & WDR
- 32x Optical zoom
- Power over Ethernet (IEEE 802.3af)
- H.265, H.264 and MJPEG compression
- Smart Motion Detection Technology
- IP67 and IK10 Environmental Housing
- CE, FCC, BIS & RoHS Certification

Application



Key features of WVMS



WVMS Professional – Monitoring Console



WVMS Enterprise – Wall & Redundancy



WVMS Facial Recognition Module



WVMS Video Content Analytics



WVMS License Plate Recognition



WVMS Mobile Application

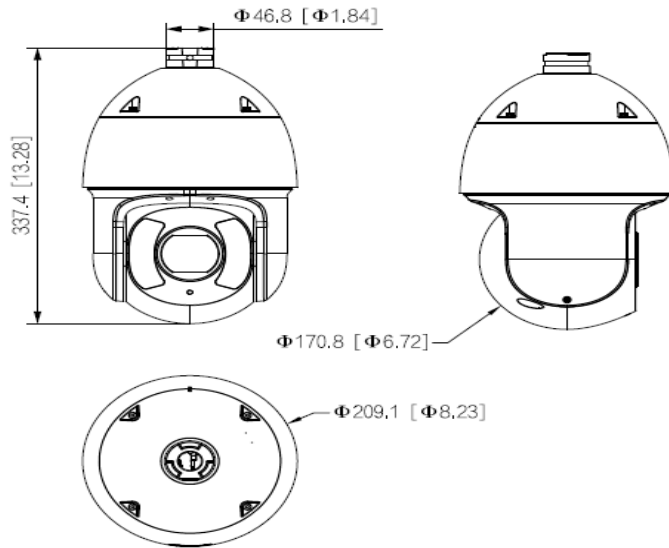
Specification

| CAMERA | |
|--|---|
| Model | IP-10403LPT |
| Image Sensor | 1/2.8" 4Megapixel STARVIS™ CMOS |
| Effective Pixels | 2560 (H) × 1440 (V) |
| Scanning System | Progressive scanning |
| AGC Control | Auto |
| IRIS Type | Auto |
| Minimum Illumination | Color: 0.005Lux@F1.6 B/W: 0.0005Lux@F1.6 |
| Lens | 4.8mm–154 mm, 32x Optical zoom, 16x Digital zoom |
| Angle of View | H: 60.2°–2.7°; V: 34°–1.5°; D: 68°–3° |
| Shutter Time | Auto / Manual: 1/1 ~ 1/30,000, Anti-Flicker |
| Day & Night | Auto (ICR)/Color/B/W |
| Wide Dynamic Range | 120 dB |
| Noise Reduction | 2D; 3D |
| S/N Ratio | 50 dB |
| IR Range | 250m |
| VIDEO | |
| Video Compression | H.264H; H.264B; Smart H.265+; H.264; H.265; MJPEG (Sub Stream1); Smart H.264+ |
| Image Stabilization | Electronic Image Stabilization (EIS) |
| Multiple Profile Streaming Performance | Main stream: 4M/1080p/1.3M/720p @(1–25/30 fps) Sub stream 1: D1/VGA/CIF@ (1–25/30 fps) Sub stream 2: 1080p/1.3M/720p @(1–25/30 fps) |
| Max Resolution | 2560x1440 |
| Video Bit Rate | H.265/H.264: 3 kbps–20480 kbps |
| Bitrate Control | Multi Streaming CBR/VBR (Controllable frame rate and Bandwidth) |
| Digital Noise Reduction | 3D-DNR |
| Privacy Mask | 24 programmable zones |
| Region of Interest (RoI) | Yes |
| Other Image Processing | Configurable Exposure, White Balance, Sharpness |
| Image Orientation | Flip / Mirror / Corridor Mode |
| EDGE STORAGE | |
| Storage | Micro SD card (512 GB); FTP/SFTP; NAS) card not included) |
| AUDIO | |
| Audio Streaming | Two Way |
| Audio Compression | G.711, G.722 |
| Audio input / output | 1/1 |

| EVENT | |
|------------------------------|---|
| Event Trigger | Motion Alarm, TemMotion/tampering detection; audio detection; network disconnection detection; IP conflict detection; memory card state detection; memory space detection; temperature critical, DI |
| Pre-Post Recording | Pre: 1~5 sec Post: 1~240 sec |
| Event Notification | FTP, E-mail, Alarm-out, SD card |
| NETWORK | |
| Ethernet Standard | 10 / 100 / 1000Base-T |
| IP | IPv4 |
| Protocol | FTP; RTMP; IPv6; Bonjour; IPv4; DNS; RTCP; PPPoE; NTP; RTP; 802.1x; HTTPS; SNMP; TCP/IP; DDNS; UPnP; NFS; ICMP; UDP; IGMP; HTTP; SSL; DHCP; SMTP; Qos; RTSP; ARP |
| Security | HTTPS(SSL), IP filtering, 802.1x, Digest Authentication |
| Plug In | ONVIF Profile S,G,T, CGI P2P |
| PTZ | |
| Pan / Tilt Range | Pan: 0° to 360° endless Tilt: -20° to +90°, auto flip 180° |
| Pan/Tilt Speed | Pan: 0.1°/s–350°/s; Tilt: 0.1°/s–250°/s |
| Number of Preset | 300 preset points |
| Power Off Memory | Yes |
| GENERAL | |
| Material | Aluminum Die-casting, White |
| External I/O Terminals | 1 x Alarm In / 1 x Alarm Out IP67 |
| Housing Environmental Rating | IP67 |
| Housing Impact Rating | IK10 |
| Language on webpage | English |
| Power Source | 24 VAC/2.5 A ± 25% (Included) PoE+ (802.3at) |
| Power Consumption | Basic: 15 W Max: 29.5 W |
| Operating Conditions | Humidity 10 ~ 90% RH (non-condensing) [AC24V / PoE] -40°C ~ 60°C (-40°F ~ 140°F) |
| Approvals | FCC, CE, RoHS, BIS |
| Weight | 9.4 kg |
| Dimensions (D x H) | 337.4 mm × Ø209 mm |



Dimensions



ACCESSORIES



W-WMB-4500T



W-CMB-4500T