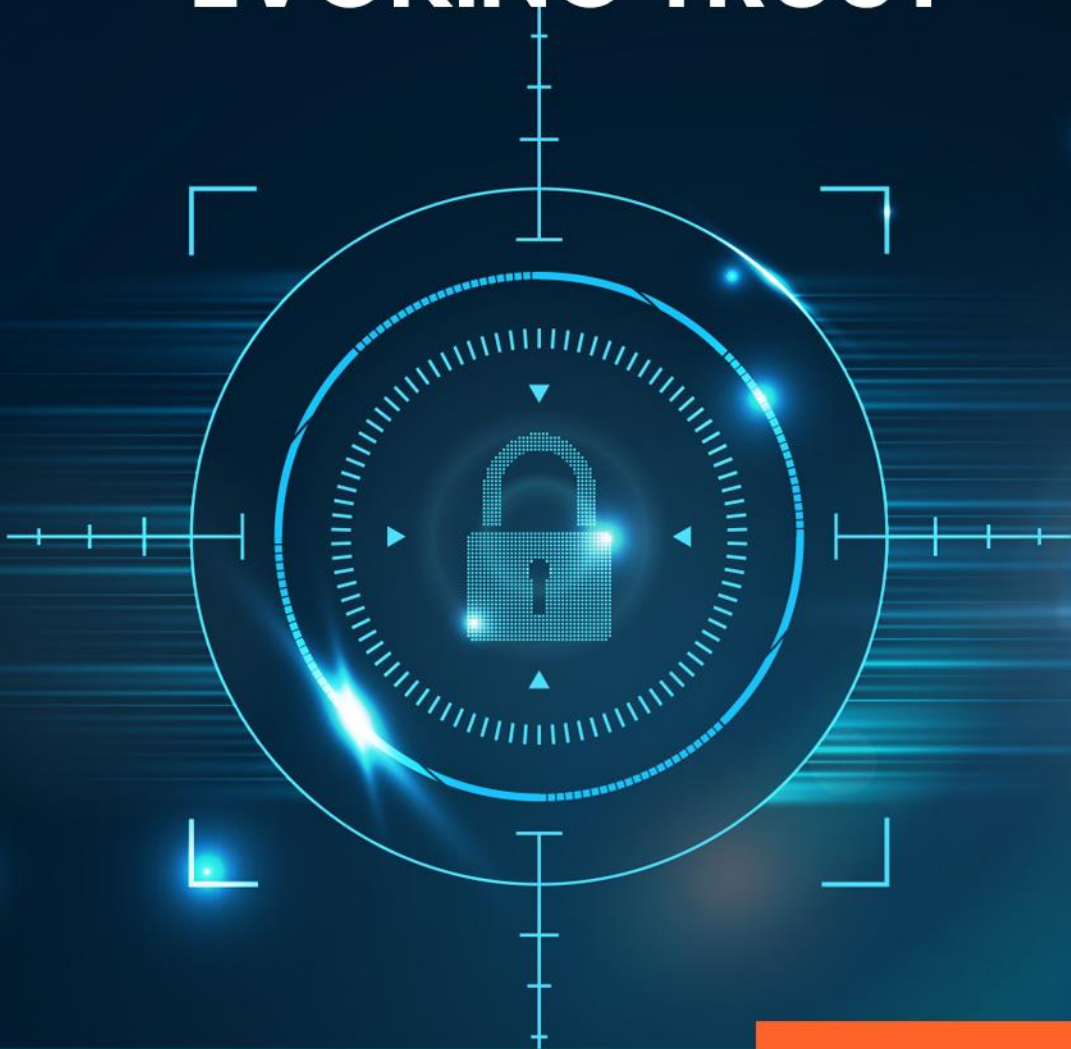




---

**EVOKING TRUST**



**Affordable IP-10  
Camera Series**



# 2MP 40x IR PTZ Camera IP-10203LPT40X

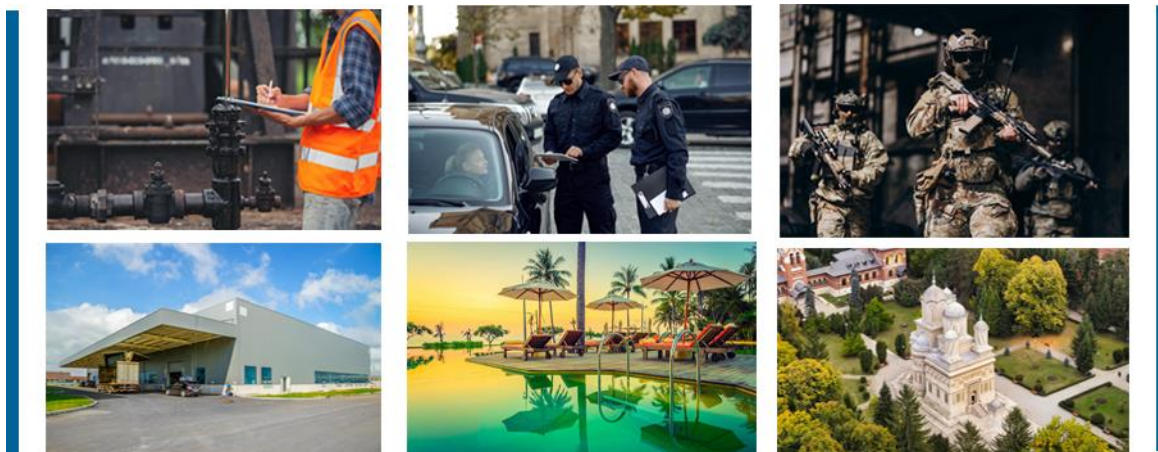


**About the Camera :** IP 10 Series cameras are affordable latest camera series by Wavesys. It is built on advanced system-on-chip technology from California based company Ambarella and Sony Starvis Sensors. The IP 10 series cameras are integrated with Wavesys Open Platform Enterprise Level Video Management Software WVMS. Wavesys is a video-based business intelligence leader with deep knowledge of different applications of intelligent video across distinct verticals.

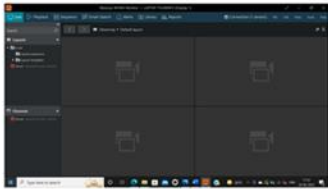
## Key Features

- Full HD 2 MP @30FPS
- True Day/Night & WDR
- 40x Optical zoom
- Power over Ethernet (IEEE 802.3af)
- H.265, H.264 and MJPEG compression
- Smart Motion Detection Technology
- IP66 and IK10 Environmental Housing
- CE, FCC, BIS & RoHS Certification

## Application



### Key features of WVMS



WVMS Professional – Monitoring Console



WVMS Enterprise – Wall & Redundancy



WVMS Facial Recognition Module



WVMS Video Content Analytics



WVMS License Plate Recognition



WVMS Mobile Application

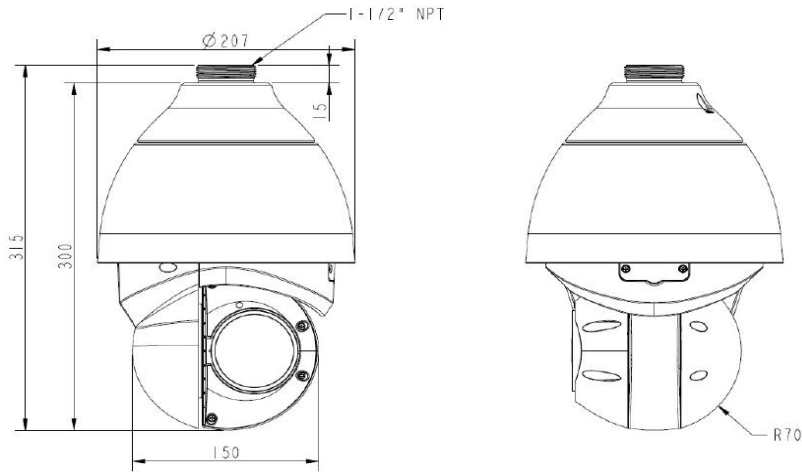
### Specification

CAMERA	
Model	IP-10203LPT40X
Image Sensor	1/2.8" 2 Megapixel Progressive Scan CMOS
Effective Pixels	1945(H) X 1097(V)
Scanning System	Progressive scanning
AGC Control	Auto
IRIS Type	P IRIS
Minimum Illumination	Color: 0.002 lux; B/W: 0.001 lux; B/W: 0 lux (IR LED on)
Lens	4.3mm–170 mm, 40x Optical zoom
Angle of View	H: 66.1° - 1.8°; V: 39.8° - 1.1°
Shutter Time	1-1/10000 second (manual mode); 1-1/10000 second (auto mode)
Day & Night	Auto (ICR)/Color/B/W
Wide Dynamic Range	120 dB or above
Noise Reduction	2D; 3D
S/N Ratio	50 dB
IR Range	200m
VIDEO	
Video Compression	H.265, H.264, MJPEG
Image Stabilization	Electronic Image Stabilization (EIS)
Multiple Profile Streaming Performance	Simultaneous quad streams
Max Resolution	1920 x1 080
Video Bit Rate	H.265/H.264: 3 kbps–20480 kbps
Bitrate Control	Multi Streaming CBR/VBR (Controllable frame rate and Bandwidth)
Digital Noise Reduction	3D-DNR
Privacy Mask	24 programmable zones
Region of Interest (RoI)	Yes
Other Image Processing	White Balance, Brightness, Contrast, Sharpness, Saturation, Backlight compensation (BLC), Digital Image Stabilizer (DIS, EIS)
Image Orientation	Flip / Mirror / Corridor Mode
Max Frame Rate	30 fps at 1920 x 1080 60 fps at 1920 x 1080 (WDR off)
EDGE STORAGE	
Storage	Micro SD card (512 GB);FTP/SFTP; NAS) card not included)
AUDIO	
Audio Streaming	Two Way
Audio Compression	G.711, G.726, AAC, PCM
Audio input / output	1/1

EVENT	
Event Trigger	Video motion detection, External device through digital input, Sound detection, Intelligent event detection
Pre-Post Recording	Pre: 1~5 sec Post: 1~240 sec
Event Notification	E-mail notification with snapshots, Save video to local storage, Upload snapshot to FTP server, Activate external device through digital output
NETWORK	
Ethernet Standard	10 / 100 / 1000Base-T
IP	IPv4
Protocol	IPv4, IPv6, TCP, UDP, DHCP, PPPoE, HTTP, HTTPS, DDNS, NTP, RTP, RTSP, SMTP, FTP, IGMP, ICMP, ARP, UPnP, QoS, SNMP, IEEE 802.1X
Security	IP address filtering, HTTPS encryption, Password protected user level, IEEE 802.1X network access control
Plug In	Yes, Profile S, Profile G, Profile T, Profile Q, Profile M
PTZ	
Pan / Tilt Range	Pan: 0° to 360° endless Tilt: -20° to +100°, auto flip 180°
Pan/Tilt Speed	Pan: 300°/s; Tilt: 300/s
Number of Preset	256 preset points
GENERAL	
Material	Aluminum Die-casting, White
External I/O Terminals	4 x Alarm In / 2 x Alarm Out
	IP66
Housing Environmental Rating	
Housing Impact Rating	IK10
Language on webpage	English
Power Source	24 VAC/2.5 A ± 25% (Included) High PoE(802.3at)
Power Consumption	High PoE 60W
Operating Conditions	Humidity 10 ~ 90% RH (non-condensing) [AC24V / PoE] -40°C ~ 60°C (-40°F ~ 140°F)
Approvals	FCC, CE, RoHS,BIS
Operating Button	Reset Button
Dimensions (D x H)	207mm x 300mm



## Dimensions



Unit: mm [inch]

## ACCESSORIES



**W-WMB-4500T**



**W-CMB-4500T**