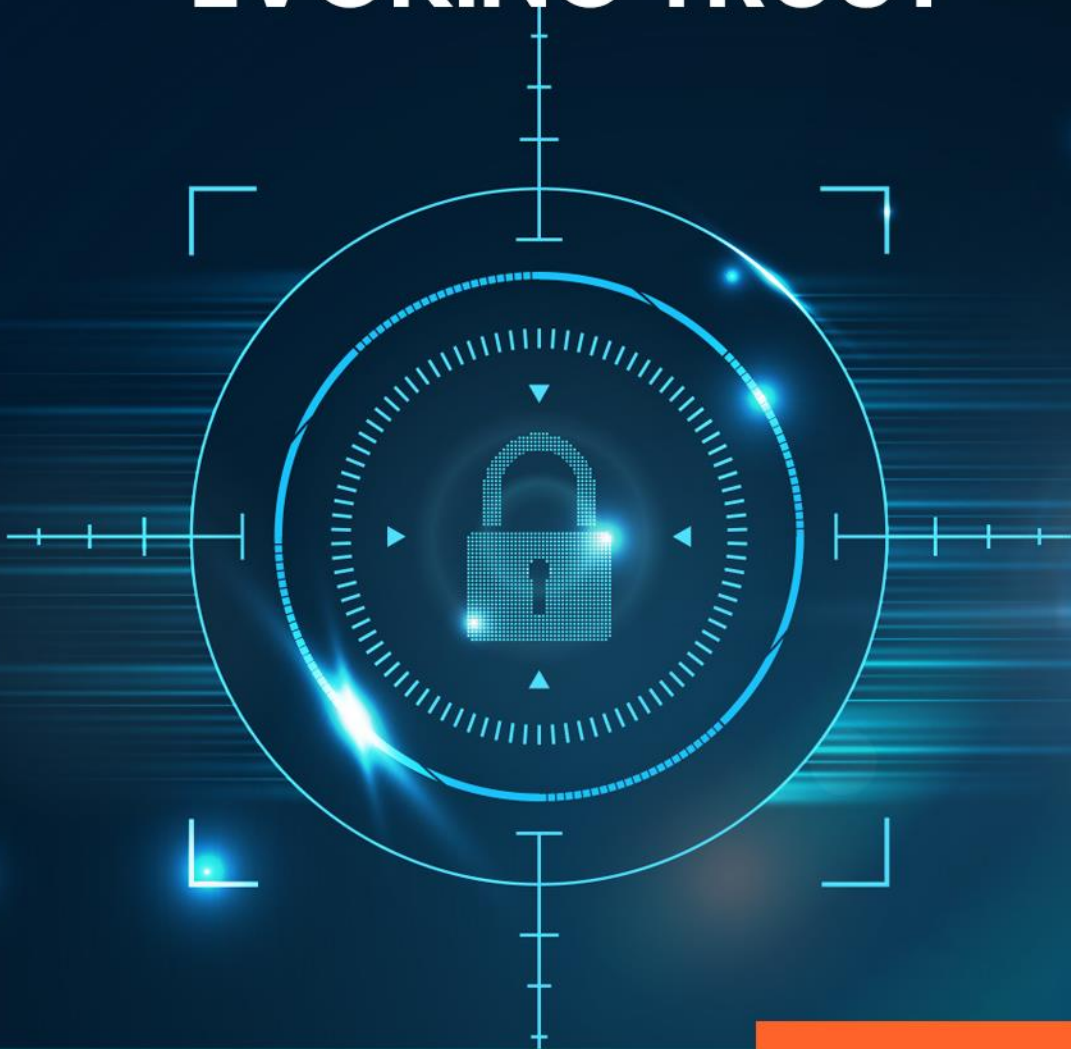




EVOKING TRUST



**Affordable IP-10
Camera Series**



2MP Explosion Proof PTZ Camera

IP-10203PTZE

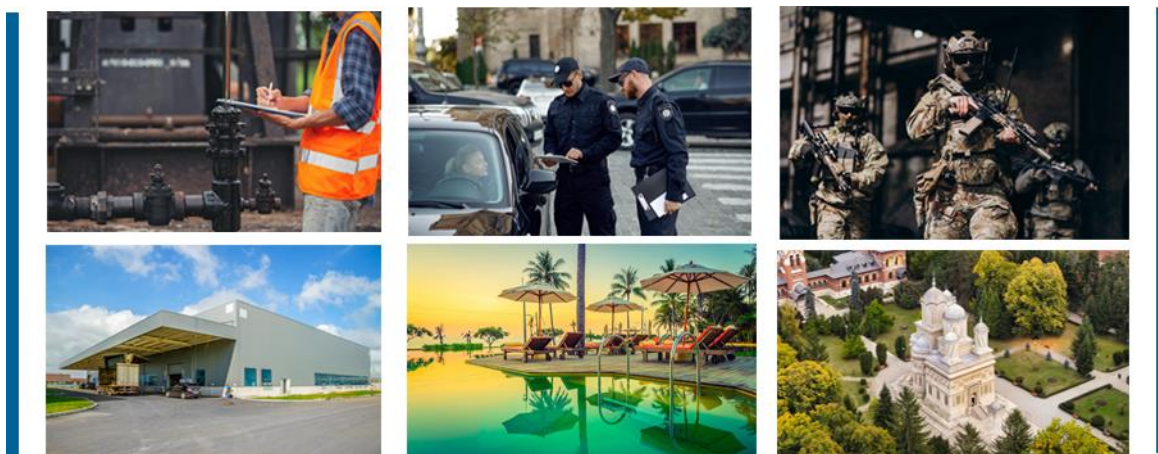


About the Camera : IP 10 Series cameras are affordable latest camera series by Wavesys. The IP 10 series cameras are integrated with Wavesys Open Platform Enterprise Level Video Management Software WVMS. Wavesys is a video-based business intelligence leader with deep knowledge of different applications of intelligent video across distinct verticals.

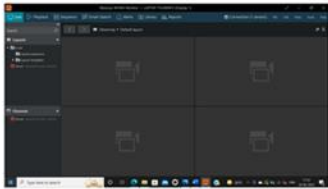
Key Features

- Full HD 2MP @50FPS
- True Day/Night &WDR
- Smart Compression Technology based on bit rate Control, ROI
- Applicable for Gas Zone 1, Zone 2, Class II A, IIB, IIC, T1-T6 group, Dust Zone 21, 22.
- H.265, H.264 and MJPEG compression
- Supports 30x optical zoom, 16x digital zoom
- IP68 Environmental Housing
- CE, FCC, BIS , PESO, Presafe 17 ATEX 11326X, IECEx PRE18.0012X Certificate

Application



Key features of WVMS



WVMS Professional – Monitoring Console



WVMS Enterprise – Wall & Redundancy



WVMS Facial Recognition Module



WVMS Video Content Analytics



WVMS License Plate Recognition



WVMS Mobile Application

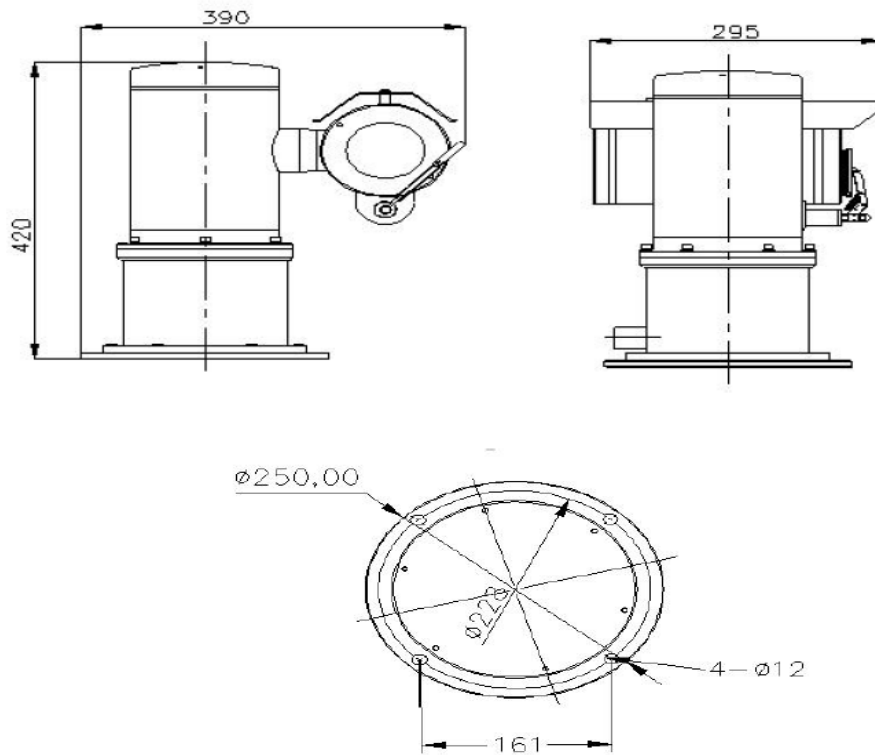
Specification

CAMERA	
Model	IP-10203PTZE
Image Sensor	1/2.8" CMOS Image Sensor
Effective Pixels	1920(H) × 1080(V)
Scanning System	Progressive scanning
AGC Control	Auto
White balance	Auto/Indoor/Outdoor/Tracking/Manual/Sodium Lamp/Natural Light/Street Lamp
Minimum Illumination	0.005 Lux@F1.5 (Color, 30 IRE) 0.0005 Lux@F1.5 (B/W, 30 IRE)
Region of Interest (RoI)	Yes (4 areas)
Angle of View	H: 67.8°~2.8°
Shutter Time	1/1s~1/30000s
Day & Night	Auto (ICR)/Color/B/W
Wide Dynamic Range	Support
Region of Interest(ROI)	Support
S/N Ratio	50 dB
Lens	
Optical zoom	30x
Lens	4.5mm~135mm
VIDEO	
Video Compression	H.265, H.264, MJPEG
Smart Codec	Smart H.265+; Smart H.264+
Multiple Profile Streaming Performance	main stream (1920×1080@50fps), main stream(1280×960@50fps), main stream (1280×720@50fps), auxiliary stream 1 (704×576@25fps), auxiliary stream 1 (352×288@25fps) Sub stream 2 (1920×1080@25fps), Sub stream 2 (1280×960@25fps),
Max Resolution	3840 × 2160
Video Bit Rate	H.264: 8 kbps~16384 kbps H.265: 3 kbps~14050 kbps
Bitrate Control	Multi Streaming CBR/VBR (Controllable frame rate and Bandwidth)
Digital Noise Reduction	3D-DNR
Privacy Mask	4 programmable zones
Image Rotation	0°/90°/180°/270° (Support 90°/270° with 2688×1520 resolution and lower)
Other Image Processing	Configurable Exposure, White Balance, Sharpness
Image Orientation	Flip / Mirror / Corridor Mode

AUDIO	
Audio Compression	G.711a; G.711Mu; AAC; G.7221; G.726; MP2L2; G.729
Audio input / output	1/1
EVENT	
Event Trigger	Video dynamic/occlusion detection; audio detection network disconnection detection; IP conflict detection; memory card status detection; storage space detection
Pre-Post Recording	Pre: 1~5 sec Post: 1~240 sec
NETWORK	
Ethernet Standard	10 / 100 / 1000Base-T
IP	IPv4
Protocol	HTTP;HTTPS;IPv4;RTSP;UDP;SMTP;NTP;DHCP;DNS;DDNS;IPv6;802.1x;Qos;FTP;UPnP;ICMP;SNMP;SNMPv1/v2c/v3(MIB-2);IGMP;ARP; RTPC;RTP;PPPoE;TCP
Security	Authorized user name and password; MAC address binding; HTTPS encryption; IEEE802.1x; network access control
Plug In	ONVIF Profile G, CGI
GENERAL	
Pan	continuously 360°
Tilt	90°~90°
Preset	28/255
GENERAL	
Material	Aluminum Die-casting, White
External I/O Terminals	1/1
Language on webpage	English
Power Source	DC12V, PoE(IEEE 802.3af)
Power Consumption	DC12V Max 3.7W, PoE Max 4.5W
Operating Conditions	Humidity 10 ~ 90% RH (non-condensing) [DC12V / PoE] -40°C ~ 60°C (-22°F ~ 140°F)
Approvals	FCC, CE,BIS,IP68,IEC/EN60079
Explosion proof Certificate	Presafe 17 ATEX 11328X, IECEx PRE18.0030X,PESO
Explosion proof marking	2460 II 2G Ex db II C T6 Gb, II 2D Ex tb is III C T80 °C Db
Weigh	30 kg
Dimensions (D x H)	∅295*390*420*mm
Housing	
Housing	Zuon CZ610-B Series housing,Stainless steel 304 or 316L Casing
Ingress protection	IP68



Dimensions



ACCESSORIES