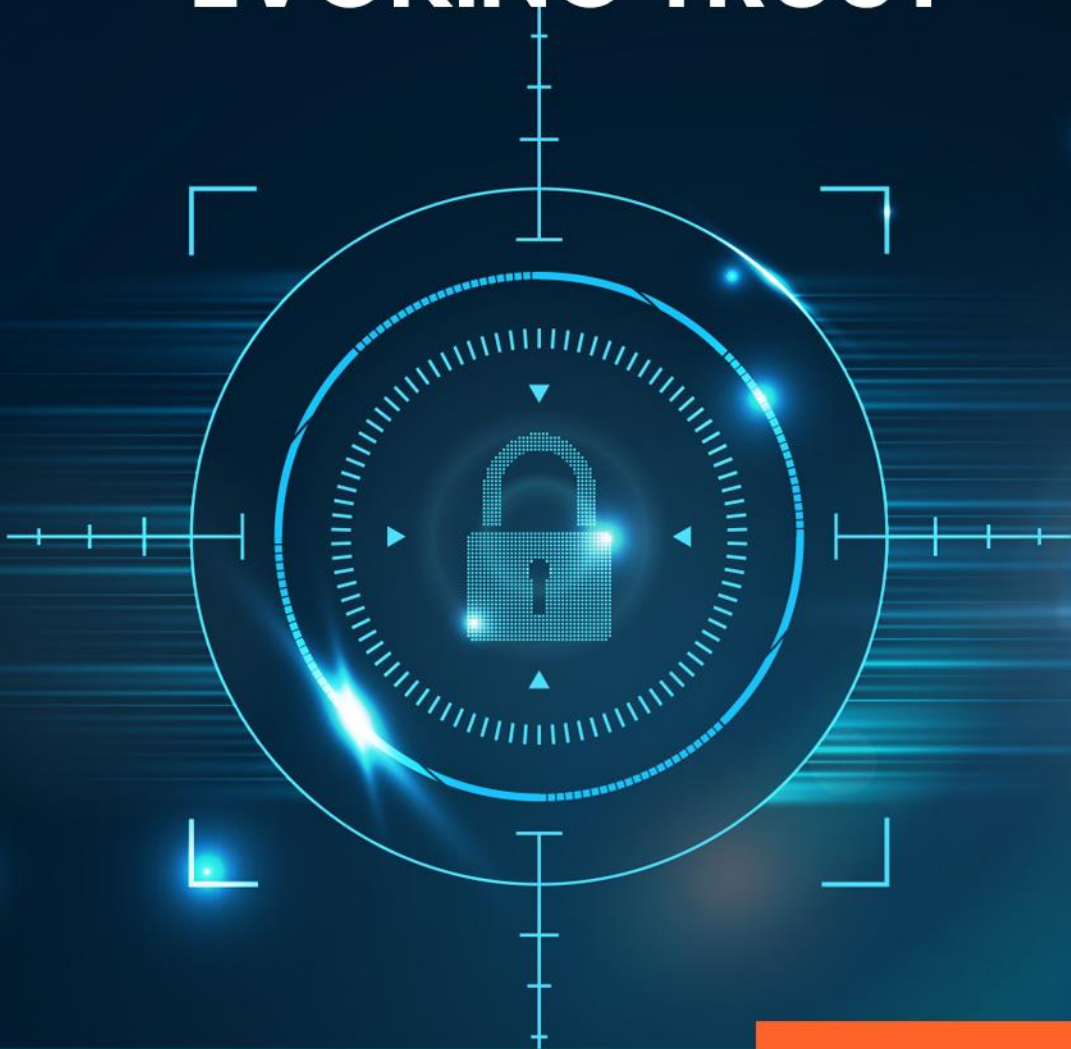




**EVOKING TRUST**



**Affordable Series  
IP-10 Camera Series**



# STARVIS 5MP Compact IR Dome IP Camera IP-10301LDO

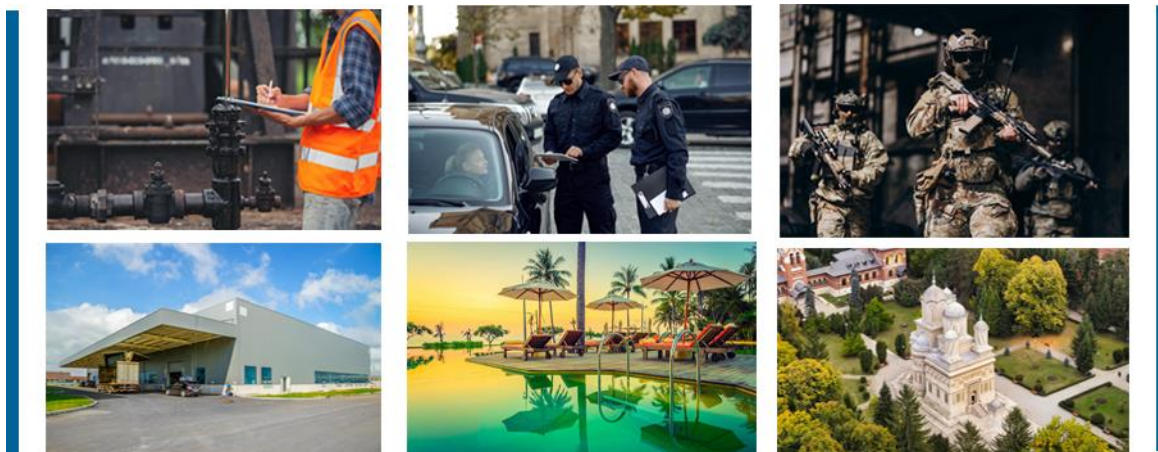


**About the Camera :** IP 10 Series cameras are affordable latest camera series by Wavesys. It is built on advanced system-on-chip technology from California based company Ambarella and Sony Starvis Sensors. The IP 10 series cameras are integrated with Wavesys Open Platform Enterprise Level Video Management Software WVMS. Wavesys is a video-based business intelligence leader with deep knowledge of different applications of intelligent video across distinct verticals.

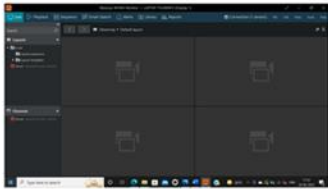
## Key Features

- . Full HD 5 MP@30FPS
- . True Day/Night &WDR
- . WaveStream: Smart Compression Technology based on bit rate Control, ROI
- . Power over Ethernet (IEEE 802.3af)
- . H.265, H.264 and MJPEG compression
- . WaveIR\*: Smart IR technology
- . IP67 & IK10 Environmental Housing
- . CE, FCC, BIS & RoHS Certification

## Application



### Key features of WVMS



WVMS Professional – Monitoring Console



WVMS Enterprise – Wall & Redundancy



WVMS Facial Recognition Module



WVMS Video Content Analytics



WVMS License Plate Recognition



WVMS Mobile Application

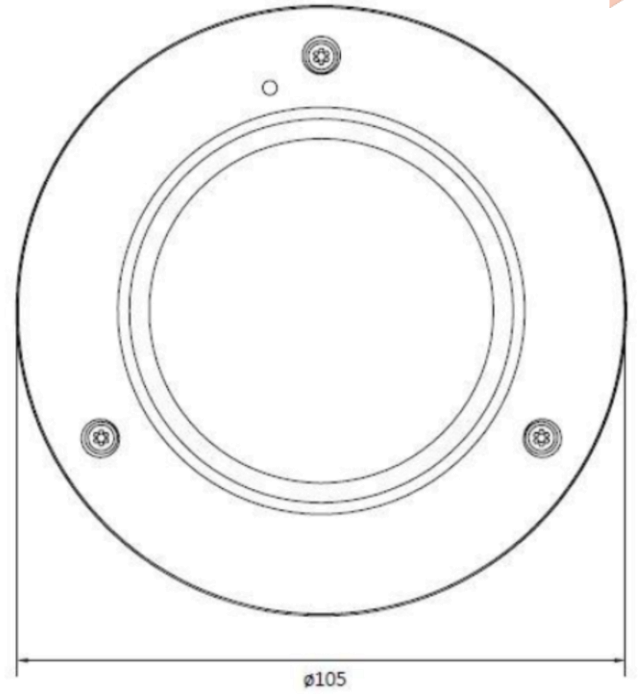
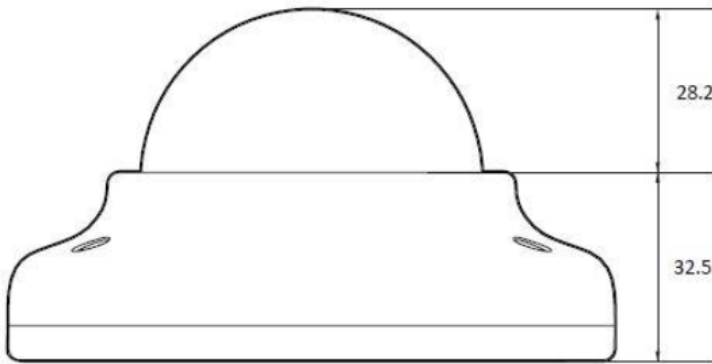
### Specification

CAMERA	
Model	IP-10301LDO
Image Sensor	SONY STARVIS EXMOR 1/2.8" 5M CMOS
Effective Pixels	2592(H) x 1944(V)
Scanning System	Progressive scanning
AGC Control	Auto
IRIS Type	Auto
Minimum Illumination	Color : 1 Lux / BW : 0 Lux(IR LED On)
Lens	Basic : 2.8mm ( F1.8) Options : 4.mm(F2.0), 6.0mm(F2.0), 8.0mm(F2.0)
Angle of View	Horizontal: Approx 102.4°, Vertical: Approx 77.4°
Shutter Time	Auto / Manual: 1/30 ~ 1/32,000, Anti-Flicker, Slow Shutter (1/2,1/3,1/5,1/6,1/7.5,1/10)
Day & Night	True Day & Night (Removable IR-cut filter)
Wide Dynamic Range	Digital WDR
Smart Capture Technology	WaveCapture: Smart Advanced Wide Dynamic Capture for high details in challenging conditions
S/N Ratio	50 dB
IR ILLUMINATOR	
Smart IR	WaveIR :- Advanced Smart IR
IR Working Distance	25m, depend upon object size
VIDEO	
Video Compression	H.265, H.264, MJPEG
Profile	H.264 : MP / HP H.265 : MP
Multiple Profile Streaming Performance	2592x1944/30 + 480p30 with H.264, H265 + MJPEG
Max Resolution	2592 x 1944
Video Bit Rate	100Kbps ~ 10Mbps Multi-rate for Preview and Recording
Bitrate Control	Multi Streaming CBR/VBR (Controllable frame rate and Bandwidth)
Digital Noise Reduction	3D-DNR
Privacy Mask	16 programmable zones
Special Features	WaveStream: Smart Compression Technology based on bit rate Control- Region of Interest
Other Image Processing	Configurable Exposure, White Balance, Sharpness
Image Orientation	Flip / Mirror / Corridor Mode

AUDIO	
Audio Compression	G.711
Audio input / output	1(Built in Mic) / 0
EVENT	
Event Trigger	Motion Alarm, Temperature critical, DI
Pre-Post Recording	Pre: 1~5 sec Post: 1~240 sec
Event Notification	FTP, E-mail, Alarm-out, SD card
NETWORK	
Ethernet Standard	10 / 100 / 1000Base-T
IP	IPv4
Protocol	TCP/IP, UDP, AutoIP, RTP(UDP/TCP), RTSP, NTP, HTTP, HTTPS, SSL, DNS, DDNS, DHCP, FTP, SMTP, ICMP, SNMPv1/v2/v3(MIB-2), ONVIF
Security	HTTPS(SSL), IP filtering, 802.1x, Digest Authentication
Plug In	ONVIF Profile S, CGI API
GENERAL	
Material	Aluminum Die-casting, White
External I/O Terminals	N/A
Language on webpage	English
Power Source	DC12V, PoE(IEEE 802.3af)
Power Consumption	DC12V Max 6W, PoE Max 7.2W
Operating Conditions	Humidity 10 ~ 90% RH (non-condensing) [DC12V / PoE] -30°C ~ 50°C (-22°F ~ 122°F)
Approvals	FCC, CE, RoHS, BIS, IP67, IK10
Weight	0.4kg
Dimensions (D x H)	Ø105mm x 60.7mm
EDGE STORAGE	
Storage	1x microSD / microSDHC / microSDXC (card not included)



**Dimensions**



**ACCESSORIES**



BW11



BC11



BP01



BCO01