



EVOKING TRUST



**Intelligent Video
Analysis at Edge
IP-30 Camera Series**



12MP COMPACT IR FISHEYE IP CAMERA IP-30501LFO



About the Camera : IP 30 Series cameras are Artificial Intelligence powered latest camera series by Wavesys. It is built on advanced system-on-chip technology from California based company Ambarella and Sony Starvis Sensors. The IP30 series cameras are integrated with Wavesys Open Platform Enterprise Level Video Management Software WVMS. Wavesys is a video-based business intelligence leader with deep knowledge of different applications of intelligent video across distinct verticals.

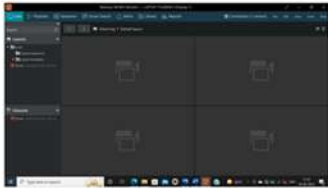
Key Features

- 12M 360° or 180° viewing angle
- True Day/Night and WDR
- IP67 and IK10 Environmental Housing
- Power over Ethernet (IEEE 802.3af)
- H.265, H.264 and MJPEG compression
- Smart Bit control and Region of Interest
- UL, CE, FCC, BIS & RoHS Certification

Application



Key features of WVMS



WVMS Professional – Monitoring Console



WVMS Enterprise – Wall & Redundancy



WVMS Facial Recognition Module



WVMS Video Content Analytics



WVMS License Plate Recognition



WVMS Mobile Application

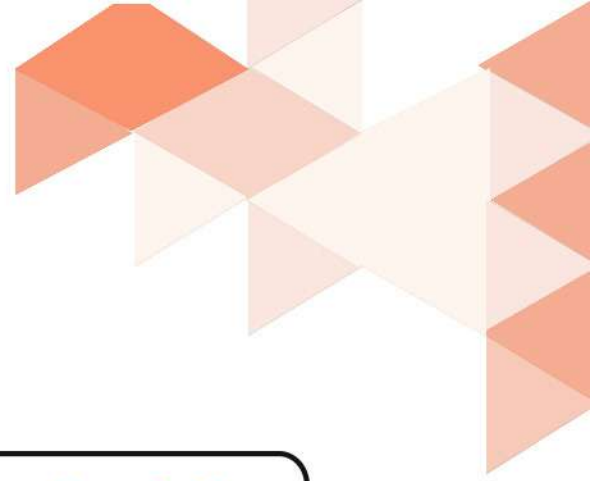
Specification

Camera

Model	IP-30501FO
Image Sensor	1/1.7" 12.4M CMOS
Effective Pixels	4000(H) x 3000(V)
Scanning System	Progressive scanning
AGC Control	Auto
IRIS Type	Auto Exposure
Minimum Illumination	Color : 0.3 Lux / BW : 0 Lux (IR LED On)
Lens	2.1 mm, F2.2
Angle of View	360°
Shutter Time	Auto / Manual: 1/30 ~ 1/32,000, Anti-Flicker, Slow Shutter (1/2,1/3,1/5,1/6,1/7.5,1/10)
Day & Night	True Day & Night (Removable IR-cut filter)
Wide Dynamic Range	Digital WDR
Smart Capture Technology	WaveCapture: Smart Advanced Wide Dynamic Capture for high details in challenging conditions
S/N Ratio	50 dB
IR ILLUMINATOR	
Smart IR	WaveIR :- Advanced Smart IR
IR LED	High Power IR LED x 3
IR Working Distance	25m Depend upon object size
VIDEO	
Video Compression	H.265, H.264, MJPEG
Profile	H.264: MP / HP H.265: MP
Multiple Profile Streaming Performance	-4000x3000p20 + 320x320p20 with H.264,H.265 + MJPEG - 3000x3000p30 + 320x320p30 with H.264,H.265 + MJPEG
Max Resolution	4000 x 3000
Video Bit Rate	100Kbps ~ 10Mbps Multi-rate for Preview and Recording
Bitrate Control	Multi Streaming CBR/VBR (Controllable frame rate and Bandwidth)
Digital Noise Reduction	3D-DNR
Privacy Mask	16 programmable zones
Special Features	WaveStream: Smart Compression Technology based on bit rate Control- Region of Interest
Other Image Processing	Configurable Exposure, White Balance, Sharpness

AUDIO

Audio Compression	G.711
Audio input / output	1/1
EVENT	
Event Trigger	Motion, Temperature critical
Smart Edge Analytics*	WaveVCA: Intelligence built-in Cameras Analytics*
Pre-Post Recording	Pre: 1-5 sec Post: 1-240 sec
Event Notification	FTP, E-mail, SD card
NETWORK	
Ethernet Standard	10 / 100 Base-T
IP	IPv4
Protocol	TCP/IP, UDP, AutoIP, RTP(UDP/TCP), RTSP, NTP, HTTP, HTTPS, SSL, DNS, DDNS, DHCP, FTP, SMTP, ICMP, SNMPv1/v2/v3(MIB-2), ONVIF
Security	HTTPS(SSL), IP filtering, 802.1x, Digest Authentication
Plug In	ONVIF Profile S, CGI API
GENERAL	
Material	Aluminum Die-casting
External I/O Terminals	1/1
Housing	
Environmental Rating	IP66
Housing Impact Rating	IK09
Language on webpage	English
Power Source	DC12V, PoE(IEEE 802.3af)
Power Consumption	DC12V Max 7.5W, PoE Max 8.7W
Operating Conditions	Humidity 10 ~ 90% RH (non-condensing) [DC12V / PoE] -30°C ~ 50°C (-22°F ~ 122°F)
Approvals	FCC, CE, UL
Weight	0.5 kg
Dimensions (W x H)	Ø125 mm x 48.6 mm
EDGE STORAGE	
Storage	1x microSD / microSDHC / microSDXC (card not included)



WaveVCA : Intelligence built-in Cameras Analytics

Basic features

Analytics Engine WVCA Technology's advanced tracking algorithm with rich library of detection behaviors

Detection Zones and Rules 40 zones (Multi-segment Polygons and Lines) in total, 60 rules in total as standard

Intrusion Detection Detection of the presence of an object

Tamper Detection Supported as standard



Intrusion Detection



Tamper Detection



Zones & lines

Optional features

Detection Behavior Enter, Exit, Appear, Disappear, Stop, Direction, Dwell filter, Abandoned/Removed object filter, Tailgating

Logical Rules Extends standard rules to allow various combinations of the inputs

3D Behavior Perspective Corrected Size and Speed Filters

Object Classification - Configured Max./Min. object sizes and Max./Min. speeds

Counting Line High accuracy people and vehicle counting, 20 counters in total

Meta Data JSON format, Plain XML format



Enter Filter



3D Calibration



Tailgating Filter



Appear Filter



Counting



Exit Filter



Dwell Filter



Disappear Filter



Removed Object Filter



Stopped Filter



Direction Filter



Logical Rules



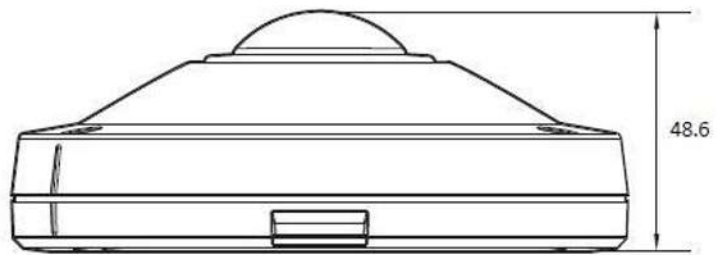
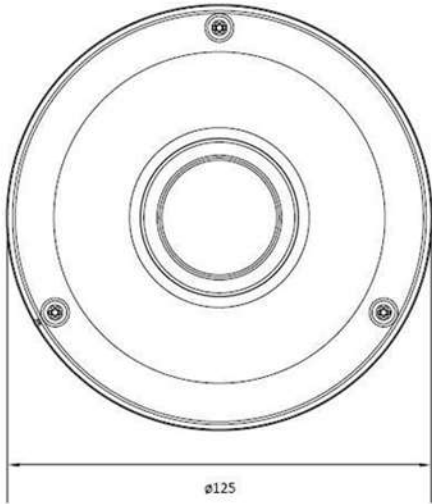
Abandoned Object Filter



Counting Lines



DIMENSIONS



ACCESSORIES



BW11



BC10



BP01



BCO01