



**EVOKING TRUST**



**Intelligent Video  
Analysis at Edge  
IP-30 Camera Series**



# STARVIS 5MP COMPACT IR DOME IP CAMERA

## IP-30303LDO



**About the Camera :** IP 30 Series cameras are Artificial Intelligence powered latest camera series by Wavesys. It is built on advanced system-on-chip technology from California based company Ambarella and Sony Starvis Sensors. The IP30 series cameras are integrated with Wavesys Open Platform Enterprise Level Video Management Software WVMS. Wavesys is a video-based business intelligence leader with deep knowledge of different applications of intelligent video across distinct verticals.

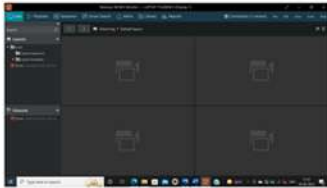
## Key Features

- 30fps at 5MP
- P Iris with Motorized Remote Zoom and Focus
- Power over Ethernet (IEEE 802.3af)
- UL, CE, FCC, BIS & RoHS Certification
- H.265, H.264 and MJPEG compression
- WaveStream: Smart Compression Technology based on bit rate Control, ROI
- IP67 and IK10 Environmental Housing
- WaveVCA\*: Intelligence built-in Camera Analytics

## Application



### Key features of WVMS



WVMS Professional – Monitoring Console



WVMS Enterprise – Wall & Redundancy



WVMS Facial Recognition Module



WVMS Video Content Analytics



WVMS License Plate Recognition



WVMS Mobile Application

### Specification

#### Camera

<b>Model</b>	<b>IP- 3030LD0</b>
Image Sensor	Outdoor, Motorized Focus & Zoom lens SONY STARVIS EXMOR 1/2.8" 5.14M CMOS
Effective Pixels	2592(H) x 1944(V)
Scanning System	Progressive scanning
AGC Control	Auto
IRIS Type	P-IRIS
Minimum Illumination	Color : 0.8 Lux / BW : 0 Lux (IR LED On)
Lens	2.7 – 13.5 mm, F1.4
Angle of View	Dimension: Approx. 109° (Wide) to 39° (Tele) Horizontal: Approx. 85° (Wide) to 31° (Tele) Vertical: Approx. 62° (Wide) to 24° (Tele)
Shutter Time	Auto / Manual: 1/30 ~ 1/32,000, Anti-Flicker, Slow Shutter (1/2,1/3,1/5,1/6,1/7.5,1/10)
Day & Night	True Day & Night (Removable IR-cut filter)
Wide Dynamic Range	True WDR, 120 dB
Smart Capture Technology	WaveCapture: Smart Advanced Wide Dynamic Capture for high details in challenging conditions
S/N Ratio	50 dB
<b>IR ILLUMINATOR</b>	
IR Working Distance	80ft-100ft Depending upon object size
Smart IR	WaveIR : Advanced smart IR
<b>VIDEO</b>	
Video Compression Profile	H.265, H.264, MJPEG H.264: MP / HP, H.265: MP
Multiple Profile Streaming Performance	4:3 Mode: 2592x1944/30 + 480p30 with H.264, H.265 + MJPEG 16:9 Mode: 1440p30 + 480p30 with H.264, H.265 + MJPEG
Max Resolution	2592 x 1944
Video Bit Rate	100Kbps ~ 10Mbps Multi-rate for Preview and Recording
Bitrate Control	Multi Streaming CBR/VBR (Controllable frame rate and Bandwidth)
Digital Noise Reduction	3D-DNR
Privacy Mask	16 programmable zones
Special Features	Wavestream: Smart Compression Technology based on bit rate Control- Region of Interest
Other Image Processing	Configurable Exposure, White Balance, Sharpness

#### AUDIO

Audio Streaming	Two way
Audio Compression	G.711
Audio Input	1 1.0Vrms, 3K ohm
Audio Output	1

#### EVENT

Event Trigger	Motion Alarm, Temperature critical, Network disconnection
Pre-Post Recording	Pre: 1-5 sec Post: 1-240 sec
Smart Edge Analytics	WaveVCA: Intelligence built-in Cameras Analytics
Event Notification	FTP, E-mail, SD card

#### NETWORK

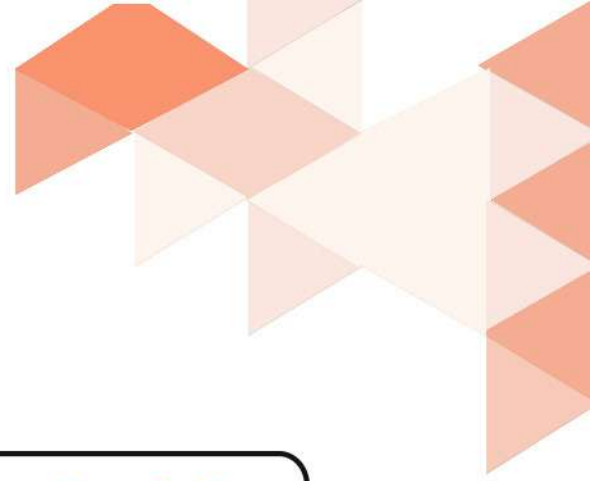
Ethernet Standard	10 / 100 Base-T
Protocol	TCP/IP, UDP, AutoIP, RTP(UDP/TCP), RTSP, NTP, HTTP, HTTPS, SSL, DNS, DDNS, DHCP, FTP, SMTP, ICMP, SNMPv1/v2/v3(MIB-2), ONVIF
Security	HTTPS(SSL), IP filtering, 802.1x, Digest Authentication
Plug In	ONVIF Profile S, CGI API

#### GENERAL

Material	Aluminum Die-casting ,White
Housing Environmental Rating	IP66
Housing Impact Rating	IK10
External I/O Terminals	1 x Alarm In / 1 x Alarm Out
Power Source	DC12V, PoE (IEEE 802.3af)
Power Consumption	DC12V Max x 7.4W, PoE Max 8.7W
Operating Conditions	Humidity 10 ~ 90% RH (non-condensing) [DC12V / PoE] -20°C ~ 50°C (-22°F ~ 122°F)
Approvals	UL , FCC, CE, ROHS, BIS
Weight	.51kg
Dimensions (D x W)	125mm x 92mm

#### EDGE STORAGE

Storage	1x microSD / microSDHC / microSDXC (card not included)
---------	--



## WaveVCA : Intelligence built-in Cameras Analytics

### Basic features

**Analytics Engine** WVCA Technology's advanced tracking algorithm with rich library of detection behaviors

**Detection Zones and Rules** 40 zones (Multi-segment Polygons and Lines) in total, 60 rules in total as standard

**Intrusion Detection** Detection of the presence of an object

**Tamper Detection** Supported as standard



Intrusion Detection



Tamper Detection



Zones & lines

### Optional features

**Detection Behavior** Enter, Exit, Appear, Disappear, Stop, Direction, Dwell filter, Abandoned/Removed object filter, Tailgating

**Logical Rules** Extends standard rules to allow various combinations of the inputs

**3D Behavior** Perspective Corrected Size and Speed Filters

**Object Classification** - Configured Max./Min. object sizes and Max./Min. speeds

Counting Line High accuracy people and vehicle counting, 20 counters in total

**Meta Data** JSON format, Plain XML format



Enter Filter



3D Calibration



Tailgating Filter



Appear Filter



Counting



Exit Filter



Dwell Filter



Disappear Filter



Removed Object Filter



Stopped Filter



Direction Filter



Logical Rules



Abandoned Object Filter



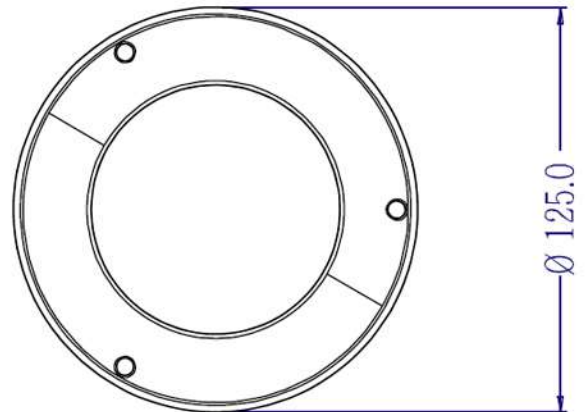
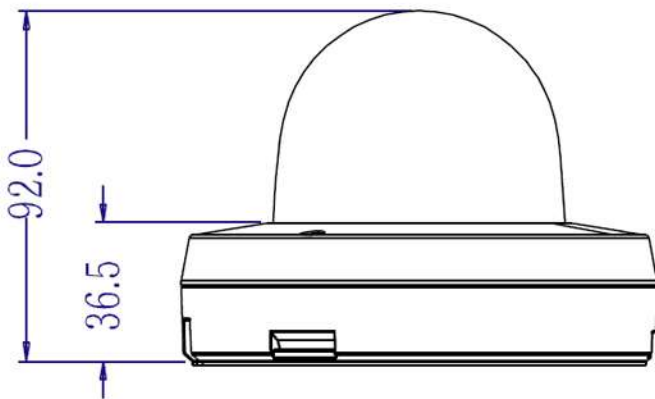
Counting Lines



**WAVESYS**  
**EVOKING TRUST**



**DIMENSIONS**



**ACCESSORIES**



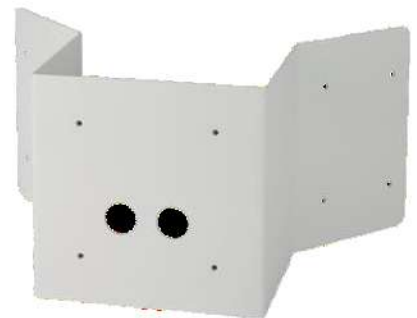
W-BW10



W-BC10



W-BP04



W-BCO04

