

Technical Specifications

## Thermal Mini Bullet IP Camera

- Compact size and light weight
- 12 μm uncooled vanadium oxide microbolometer
- Array size : 200 x 150
- -40°C to 330°C(-40°F to 626°F) Detection
- Flexible input power options: DC or PoE
- WaveStream : Smart Compression Technology based on bit rate Control, ROI
- WaveVCA \*: Intelligence Built in Analytics at Camera Level
- 802.3af (PoE) simplified installation over a single standard cable
- Burnt-in text, video motion detection
- Two-way audio
- Indoor/Outdoor (IP66)



CAMERA MODULE (Pixel Array)	
Array Size (Resolution)	200 x 150
Detection Type	Uncooled Vanadium Oxide Microbolometer
Sensor Pixel Size	12 μm
Spectral Response	7.8~14 μm
Lens	4.0mm, F1.0
FoV	35° x 26°
Sensitivity (NETD)	65mK(Typical), Less than 100mK(max) @ 25°C
Detectable Temperature Range	-40°C to 330°C(-40°F to 626°F)
Temperature Accuracy	The greater of ±5°C or 5% between 5°C to 140°C scene temperatures. Typical performance of ±10% between 140°C to 330°C scene temperatures. Specified at nominal 25°C ambient operating temperature and nominal measurement distance of 12 inches from blackbody. Temperature reported is Center Spot temperature, which is an average of the center 36 pixels.

VIDEO	
Video Compression	H.265, H.264, MJPEG
Profile	H.264 : MP/HP H.265 : MP
Multiple Profile Streaming Performance	640x480/9fps + 640x480/9fps with H.264, H.265 + MJPEG
Resolution	640x480, 320x240
Frame Rate	Max. 9fps in all resolutions
Video Bit Rate	100Kbps ~ 10Mbps Multi-rate for Preview and Recording
Bitrate Control	Multi Streaming CBR/VBR (Controllable frame rate and Bandwidth)
Digital Noise Reduction	3D-DNR
Privacy Mask	16 programmable zones
Special Features	WaveStream SMART Bitrate Control, Region of Interest
Analogue Output	1 (Installation only) CVBS 1.0V p-p (75Ω), 4:3 aspect ratio

AUDIO	
Input	1 channel
Output	1 channel
Compression Format	G.711, AAC

EVENT	
Event Trigger	Motion Alarm, DI Temperature Alarm(Above, Below, Slope Rate)
Pre-Post Recording	Pre: 1~5 sec Post: 1~240 sec
Event Notification	FTP, E-mail, Alarm-out, SD card

NETWORK	
Ethernet Standard	10 / 100 Base-T
IP	IPv4
Protocol	TCP/IP, UDP, AutoIP, RTP(UDP/TCP), RTSP, NTP, HTTP, HTTPS, SSL, DNS, DDNS, DHCP, FTP, SMTP, ICMP, SNMPv1/v2/v3(MIB-2), ONVIF
Security	HTTPS(SSL), IP filtering, 802.1x, Digest Authentication
Plug In	ONVIF Profile S, CGI API

GENERAL	
Material	Aluminum Die-casting, White & Silver
External I/O Terminals	1 x Alarm In / 1 x Alarm Out
Language on webpage	English
Power Source	DC12V, PoE(IEEE 802.3af)
Power Consumption	DC12V Max 8.7W, PoE Max 11.9W
Operating Conditions	Humidity 10 ~ 90% RH (non-condensing) [DC12V / PoE] -40°C ~ 50°C (-40°F ~ 122°F)
Approvals	FCC, CE, IP66
Weight	0.65 kg
Dimension (H x W x D)	76mm x 61mm x 208mm

EDGE STORAGE	
Storage	1x microSD / microSDHC / microSDXC (card not included)

Technical Specifications

**WAVEVCA: Intelligence Built-in Cameras Analytics**

**Basic features**

**Analytics Engine** WVCA Technology's advanced tracking algorithm with rich library of detection behaviors

**Detection Zones and Rules** 40 zones (Multi-

segment Polygons and Lines) in total, 60 rules in total as standard

**Intrusion Detection** Detection of the presence of an object

**Tamper Detection** Supported as standard

**Advanced features**

**Detection Behavior** Enter, Exit, Appear, Disappear, Stop, Direction, Dwell filter, Abandoned/Removed object filter, Tailgating

**Logical Rules** Extends standard rules to allow various combinations of the inputs

**3D Behavior** Perspective Corrected Size and Speed Filters

**Object Classification** - Configured Max./Min. object sizes and Max./Min. speeds

**Counting Line** High accuracy people and vehicle counting, 20 counters in total

**Meta Data** JSON format, Plain XML format

Basic features



Optional features\*



Appear Filter

Disappear Filter

Dwell Filter

Enter Filter



Exit Filter

Stopped Filter

Counting

Counting Lines



Tailgating Filter

3D Calibration

Abandoned Object Filter

Removed Object Filter



Direction Filter

Logical Rules



Technical Specification

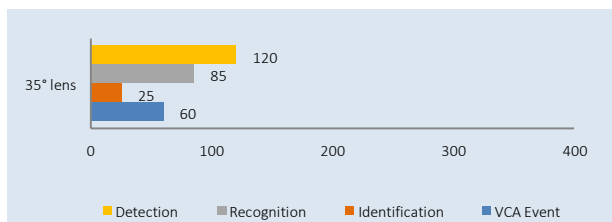
Detection Range

\*The detection range is of maximum values.

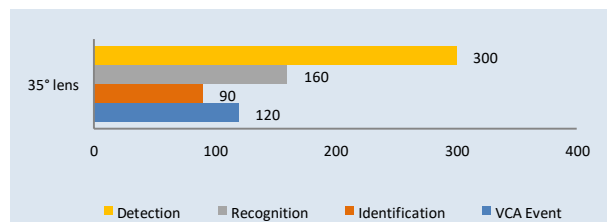
(Unit: meter)

IP-2T001BO-T35				
Object	Detection	Recognition	Identification	WVCA Event
Person	120	85	25	Max. 60
Vehicle	300	160	90	Max. 120

Person



Vehicle

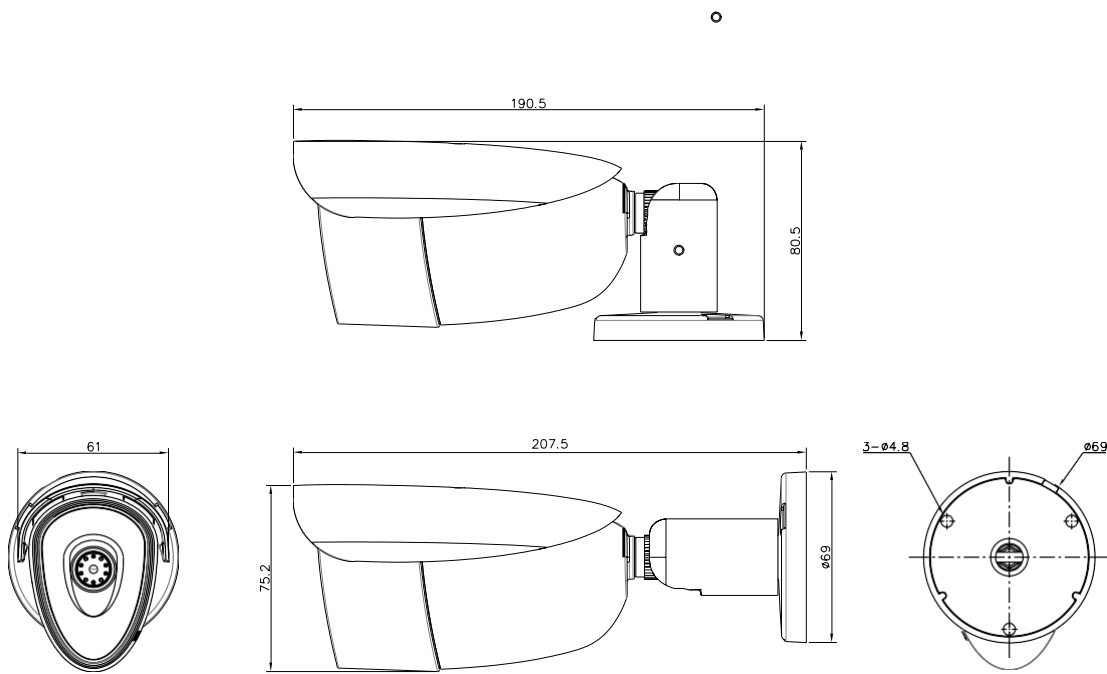


# IP-2T001BO-T35

## Technical Specification

### Dimensions

(Unit: mm)



Accessories



BJC07