

**Technical Specifications**

## STARVIS 5MP IR Bullet IP Camera

FOR EXTERNAL APPLICATION



- 5mp at 30fps
- H.265, H.264 & MJPEG Video Compression
- WaveIR: Advanced Smart IR low light Performance
- Remote Zoom & Focus Motorized Lens
- WaveCapture: Smart Advanced Wide Dynamic Capture for high details in challenging conditions
- WaveStream: Smart Compression Technology based on bit rate Control, ROI
- WaveVCA\*: Intelligence built-in Camera Analytics
- 12V DC & Power Over Ethernet (IEEE 802.3af)
- IP 66 & IK10 Environmental Housing



CAMERA	
<b>Model</b>	<b>IP-30303LBO</b> Outdoor, Motorized Focus & Zoom lens
<b>Image Sensor</b>	SONY STARVIS EXMOR 1/2.8" 5.14M CMOS
<b>Effective Pixels</b>	2592(H) x 1944(V)
<b>Scanning System</b>	Progressive scanning
<b>AGC Control</b>	Auto
<b>IRIS Type</b>	P-IRIS
<b>Minimum Illumination</b>	Color: 0.08 Lux / B/W: 0 Lux (IR LED On)
<b>Lens</b>	2.7 – 13.5 mm, F1.4
<b>Angle of View</b>	Dimension: Approx. 109° (Wide) to 39° (Tele) Horizontal: Approx. 85° (Wide) to 31° (Tele) Vertical: Approx. 62° (Wide) to 24° (Tele)
<b>Shutter Speed</b>	Auto / Manual (1/15 ~ 1/60000), Slow Shutter (off, 2x~8x)
<b>Day &amp; Night</b>	True Day & Night (Removable IR-cut filter)
<b>Wide Dynamic Range</b>	True WDR, 120 dB or above
<b>Smart Capture Technology</b>	<b>WaveCapture:</b> Smart Advanced Wide Dynamic Capture for high details in challenging conditions
<b>S/N Ratio</b>	50 dB
IR ILLUMINATOR	
<b>Smart IR</b>	<b>WaveIR</b> :- Advanced Smart IR
<b>IR Working Distance</b>	120ft

VIDEO	
<b>Video Compression</b>	H.265, H.264, MJPEG
<b>Profile</b>	H.264: MP / HP, H.265: MP
<b>Multiple Profile Streaming Performance</b>	4:3Mode: 2592x1944/30 + 480p30 with H.264, H265 + MJPEG 16:9 Mode: 1440p30 + 480p30 with H.264, H265 + MJPEG
<b>Max Resolution</b>	2592 x 1944
<b>Video Bit Rate</b>	100Kbps ~ 10Mbps Multi-rate for Preview and Recording
<b>Bitrate Control</b>	Multi Streaming CBR/VBR (Controllable frame rate and Bandwidth)
<b>Digital Noise Reduction</b>	3D-DNR
<b>Privacy Mask</b>	16 programmable zones
<b>Special Features</b>	<b>WaveStream:</b> Smart Compression Technology based on bit rate Control- Region of Interest
<b>Other Image Processing</b>	Configurable Exposure, White Balance, Sharpness
AUDIO	
<b>Audio Streaming</b>	Two way
<b>Audio Compression</b>	G.711
<b>Audio Input</b>	1[1.0Vms, 3K ohm]
<b>Audio Output</b>	1
<b>DI/DO</b>	1/1

## Technical Specifications

EVENT	
Event Trigger	Motion Alarm, Temperature critical, Network disconnection
Smart Edge Analytics*	<b>WaveVCA:</b> Intelligence built-in Cameras Analytics*
Pre-Post Recording	Pre: 1~5 sec Post: 1~240 sec
Event Notification	FTP, E-mail, Alarm-out, SD card
Storage	1x microSD / microSDHC / microSDXC (card not included)
NETWORK	
Ethernet Standard	10 / 100 Base-T
Protocol	TCP/IP, UDP, AutoIP, RTP(UDP/TCP), RTSP, NTP, HTTP, HTTPS, SSL, DNS, DDNS, DHCP, FTP, SMTP, ICMP, SNMPv1/v2/v3(MIB-2), ONVIF
Security	HTTPS(SSL), IP filtering, 802.1x, Digest Authentication
Plug In	ONVIF Profile S, CGI API
GENERAL	
Material	Aluminum Die-casting, White
Housing Environmental Rating	IP66
Housing Impact Rating	IK10
External I/O Terminals	1 x Alarm In / 1 x Alarm Out
Power Source	DC12V, PoE (IEEE 802.3af)
Power Consumption	DC12V Max 9W, PoE Max 10.5W
Operating Conditions	Humidity 10 ~ 90% RH (non-condensing) [DC12V / PoE] -40°C ~ 50°C (-40°F ~ 122°F)
Approvals	FCC, CE, ROHS, BIS
Weight	0.9 kg
Dimensions (D x H)	247.2mm x 96.7mm

## WaveVCA: Intelligence built-in Cameras Analytics

### Basic features

**Analytics Engine** VCA Technology's advanced tracking algorithm with rich library of detection behaviors

**Detection Zones and Rules** 40 zones (Multi-segment Polygons and Lines) in total, 60 rules in total as standard

**Intrusion Detection** Detection of the presence of an object

**Tamper Detection** Supported as standard

### Basic features\*



Intrusion Detection



Zones & Lines



Tamper Detection



Camera Shake Cancellation

### Optional features\*



Appear & Disappear Filter



Stopped Filter



Dwell Filter



Enter & Exit Filters



Tailgating Filter



Speed Filter



3D Calibration



Object Counting



People Tracker



Colour Filter



Abandoned Object Filter



Removed Object Filter



Direction Filter

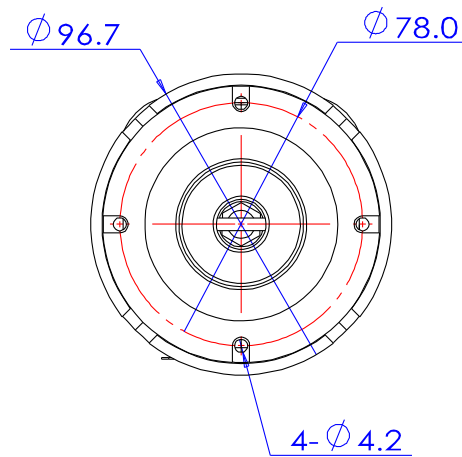
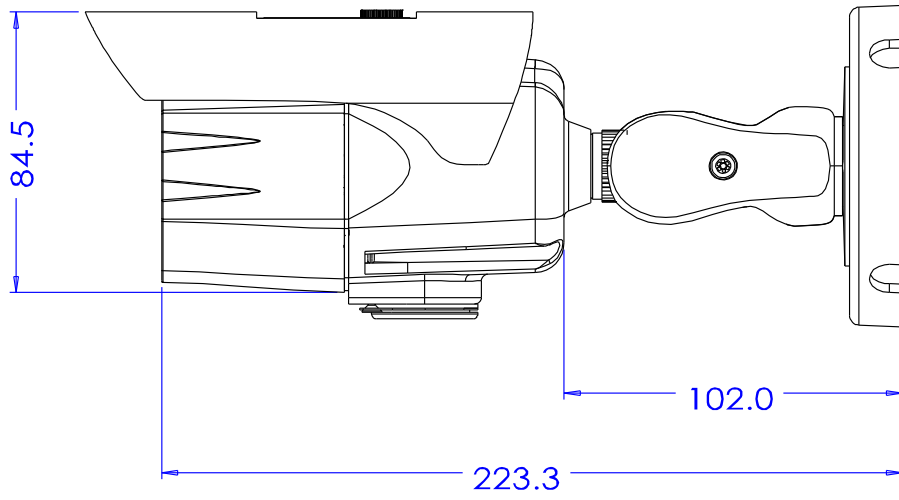


Logical Rules

**Technical Specifications**

**Dimensions**

(Unit: mm)



**Accessories**



**W-BP07**