

**Technical Specifications**

# STARVIS 2MP 30x IR PTZ IP Camera

FOR INTERNAL / EXTERNAL APPLICATIONS



- Full HD 1080p 30fps
- 30x optical and 12x digital zoom
- H.265, H.264 and MJPEG video compression
- WaveIR: Advanced Smart IR low light Performance
- WaveCapture: Smart Advanced Wide Dynamic Capture for high details in challenging conditions
- WaveStream: Smart Compression Technology based on bit rate Control, ROI
- WaveVCA\*: Intelligence built-in Camera Analytics
- Ultra PoE (IEEE 802.3bt Class5)
- IP 66 & IK10 Environmental Housing



CAMERA	
<b>Model</b>	<b>IP-30203LPT</b> : Outdoor, 30x
<b>Image Sensor</b>	1/2.8" 2.4MP CMOS
<b>Effective Pixels</b>	1920(H) x 1080(V)
<b>Scanning System</b>	Progressive scanning
<b>AGC Control</b>	Auto
<b>IRIS Type</b>	Auto IRIS
<b>Minimum Illumination</b>	Color: 0.05 Lux / B/W : 0 Lux (IR LED On)
<b>Lens</b>	4.3(w) – 129.0mm(t), F1.6(w) – F4.7(t) Optical 30x, Digital 12x
<b>Angle of View</b>	Horizontal: Approx. 63.7°(wide) to 2.3°(tele) Vertical: approx. 38.5° (wide) to 1.3° (tele)
<b>Shutter Speed</b>	Auto / Manual: 1/30 ~ 1/32,000, Anti-Flicker, Slow Shutter (1/2, 1/3, 1/5, 1/6, 1/7.5, 1/10)
<b>Day &amp; Night</b>	True Day & Night (Removable IR-cut filter)
<b>Wide Dynamic Range</b>	True WDR, 120 dB or above
<b>Smart Capture Technology</b>	<b>WaveCapture</b> : Smart Advanced Wide Dynamic Capture for high details in challenging conditions
<b>S/N Ratio</b>	50 Db
IR ILLUMINATOR	
<b>Smart IR</b>	<b>WaveIR</b> :- Advanced Smart IR
<b>IR Working Distance</b>	200ft

VIDEO	
<b>Video Compression</b>	H.265, H.264, MJPEG
<b>Profile</b>	H.264: MP / HP, H.265: MP
<b>Multiple Profile Streaming Performance</b>	1080p30 + D1(704x480 or 704x576) p30 with H.264, H.265 + MJPEG
<b>Max Resolution</b>	1920 x 1080
<b>Video Bit Rate</b>	100Kbps ~ 10Mbps Multi-rate for Preview and Recording
<b>Bitrate Control</b>	Multi Streaming CBR/VBR (Controllable frame rate and Bandwidth)
<b>Digital Noise Reduction</b>	3D-DNR
<b>Privacy Mask</b>	16 Programmable Zone(3D)
<b>Special Features</b>	<b>Wavestream</b> : Smart Compression Technology based on bit rate Control- Region of Interest
<b>Other Image Processing</b>	Configurable Exposure, White Balance, Sharpness
AUDIO	
<b>Audio Streaming</b>	Two way
<b>Audio Compression</b>	G.711
<b>Audio Input</b>	1
<b>Audio Output</b>	1

**TECHNICAL SPECIFICATIONS**

EVENT	
Event Trigger	Motion alarm, Temperature critical, DI
Smart Edge Analytics*	<b>WaveVCA:</b> Intelligence built-in Cameras Analytics*
Pre-Post Recording	Pre: 1~5 sec, Post: 1~240 sec
Event Notification	FTP, E-mail, Alarm-out, SD card
Storage	1x microSD / microSDHC / microSDXC (card not included)
NETWORK	
Ethernet Standard	10 / 100 Base-T
IP	IPv4
Protocol	TCP/IP, UDP, AutoIP, RTP(UDP/TCP), RTSP, NTP, HTTP, HTTPS, SSL, DNS, DDNS, DHCP, FTP, SMTP, ICMP, SNMPv1/v2/v3(MIB-2), ONVIF
Security	HTTPS(SSL), IP filtering, 802.1x, Digest Authentication
Plug In	ONVIF Profile S, CGI API
PTZ	
Pan / Tilt Range	Pan Range: 360° Endless Rotation Tilt Range: -5° ~ 90°, Auto-flip 180°
Pan/Tilt Speed	Up to 360°/s
Number of Preset	255 preset points
Preset Accuracy	±0.2°(Preset point)
GENERAL	
Material	Aluminum Die-casting, White
Housing Environmental Rating	IP66
Housing Impact Rating	IK10
External I/O Terminals	1 x Alarm In / 1 x Alarm Out
Power Source	AC24V, Ultra PoE(IEEE 802.3bt Class 5)
Power Consumption	AC24V Max 35W, PoE Max 42W
Operating Conditions	Humidity 10 ~ 90% RH (non-condensing) [AC/DC24V / PoE] -20°C ~ 50°C (-4°F ~ 122°F)
Approvals	FCC, CE, ROHS, BIS
Weight	2.8 kg
Dimensions (W x H)	Ø150mm x 232mm

Basic features\*



Intrusion Detection



Zones & Lines



Tamper Detection



Camera Shake Cancellation

Optional features\*



Appear & Disappear Filter



Stopped Filter



Dwell Filter



Enter & Exit Filters



Tailgating Filter



Speed Filter



3D Calibration



Object Counting



People Tracker



Colour Filter



Abandoned Object Filter



Removed Object Filter



Direction Filter



Logical Rules

**WaveVCA: Intelligence built-in Cameras Analytics**

**Basic features**

**Analytics Engine** VCA Technology's advanced tracking algorithm with rich library of detection behaviors

**Detection Zones and Rules** 40 zones (Multi-segment Polygons and Lines) in total, 60 rules in total as standard

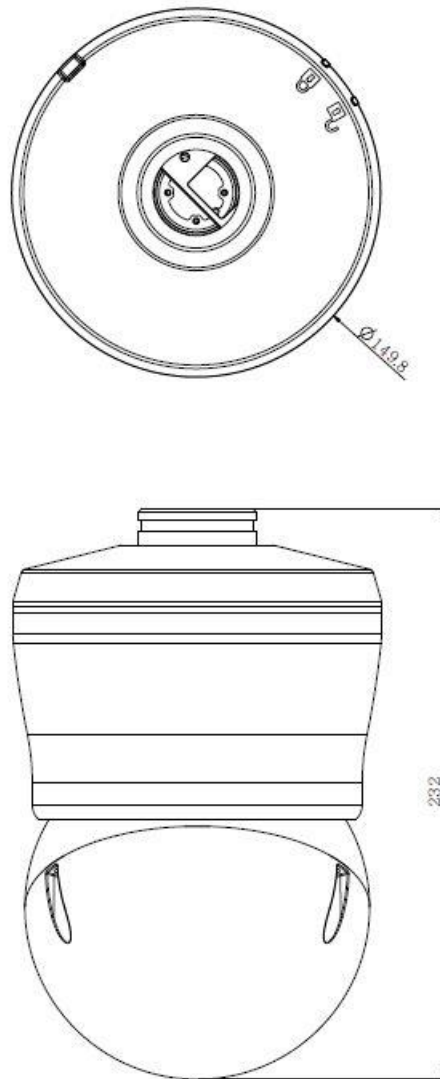
**Intrusion Detection** Detection of the presence of an object

**Tamper Detection** Supported as standard

**Technical Specifications**

**Dimensions**

(Unit: mm)



**Accessories**



**W-WMB-4500T**



**W-CMB-4500T**