

Technical Specifications

STARVIS 2MP IR Bullet IP Camera

FOR EXTERNAL APPLICATION

- Full HD 1080p 30fps
- H.265, H.264 and MJPEG video compression
- WaveIR: Advanced Smart IR low light Performance
- Remote Zoom & Focus Motorized lens
- WaveCapture: Smart Advanced Wide Dynamic Capture for high details in challenging conditions
- WaveStream: Smart Compression Technology based on bit rate Control, ROI
- WaveVCA*: Intelligence built-in Camera Analytics
- 12V DC & Power Over Ethernet (IEEE 802.3af)
- IP 66 & IK10 Environmental Housing



CAMERA	
Model	IP-30203LBO Outdoor, Motorized Focus & Zoom lens
Image Sensor	SONY STARVIS EXMOR 1/2.8" 2.1M CMOS
Effective Pixels	1945(H) x 1109(V)
Scanning System	Progressive scanning
AGC Control	Auto
IRIS Type	P-IRIS
Minimum Illumination	Color: 0.02 Lux / B/W : 0 Lux (IR LED On)
Lens	2.8 – 12.0 mm, F1.4
Angle of View	Dimension: Approx. 113° (Wide) to 41° (Tele) Horizontal: Approx. 96° (Wide) to 35° (Tele) Vertical: Approx. 51° (Wide) to 20° (Tele)
Shutter Speed	Auto / Manual: 1/30 ~ 1/32,000, Anti-Flicker, Slow Shutter (1/2,1/3,1/5,1/6,1/7.5,1/10)
Day & Night	True Day & Night (Removable IR-cut filter)
Wide Dynamic Range	True WDR, 120 dB or above
Smart Capture Technology	WaveCapture: Smart Advanced Wide Dynamic Capture for high details in challenging conditions
S/N Ratio	50 dB

IR ILLUMINATOR	
Smart IR	WaveIR :- Advanced Smart IR

IR Working Distance	120ft
VIDEO	
Video Compression	H.265, H.264, MJPEG
Profile	H.264: MP / HP H.265: MP
Multiple Profile Streaming Performance	1080p30 + D1(704x480 or 704x576) p30 with H.264, H.265 + MJPEG
Max Resolution	1920 x 1080
Video Bit Rate	100Kbps ~ 10Mbps Multi-rate for Preview and Recording
Bitrate Control	Multi Streaming CBR/VBR (Controllable frame rate and Bandwidth)
Digital Noise Reduction	3D-DNR
Privacy Mask	16 programmable zones
Special Features	WaveStream: Smart Compression Technology based on bit rate Control- Region of Interest
Other Image Processing	Configurable Exposure, White Balance, Sharpness

TECHNICAL SPECIFICATIONS

AUDIO	
Audio Streaming	Two way
Audio Compression	G.711
Audio Input	1 [1.0Vms, 3K ohm]
Audio Output	1
DI/DO	1/1
EVENT	
Event Trigger	Motion alarm, Temperature critical, Network disconnection
Smart Edge Analytics*	WaveVCA: Intelligence built-in Cameras Analytics*
Pre-Post Recording	Pre: 1~5 sec Post: 1~240 sec
Event Notification	FTP, E-mail, Alarm-out, SD card
Storage	1x microSD / microSDHC / microSDXC (card not included)
NETWORK	
Ethernet Standard	10 / 100 Base-T
Protocol	TCP/IP, UDP, AutoIP, RTP(UDP/TCP), RTSP, NTP, HTTP, HTTPS, SSL, DNS, DDNS, DHCP, FTP, SMTP, ICMP, SNMPv1/v2/v3(MIB-2), ONVIF
Security	HTTPS(SSL), IP filtering, 802.1x, Digest Authentication
Plug In	ONVIF Profile S, CGI API
GENERAL	
Material	Aluminum Die-casting, White
Housing Environmental Rating	IP66
Housing Impact Rating	IK10
External I/O Terminals	1 x Alarm In / 1 x Alarm Out
Power Source	DC12V, PoE (IEEE 802.3af)
Power Consumption	DC12V Max 8.9W, PoE Max 10.3W
Operating Conditions	Humidity 10 ~ 90% RH (non-condensing) [DC12V / PoE] -40°C ~ 50°C (-40°F ~ 122°F)
Approvals	FCC, CE, ROHS, BIS
Weight	0.9 kg
Dimensions (D x H)	247.2mm x 96.7mm

WaveVCA: Intelligence built-in Cameras Analytics

Basic features

Analytics Engine VCA Technology's advanced tracking algorithm with rich library of detection behaviors

Detection Zones and Rules 40 zones (Multi-segment Polygons and Lines) in total, 60 rules in total as standard

Intrusion Detection Detection of the presence of an object

Tamper Detection Supported as standard

Basic features*



Intrusion Detection



Zones & lines



Tamper Detection



Camera Shake Cancellation

Optional features*



Appear & Disappear Filter



Stopped Filter



Dwell Filter



Enter & Exit Filters



Tailgating Filter



Speed Filter



3D Calibration



Object Counting



People Tracker



Colour Filter



Abandoned Object Filter



Removed Object Filter



Direction Filter

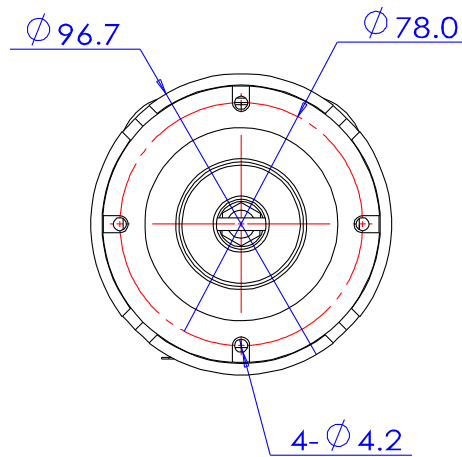
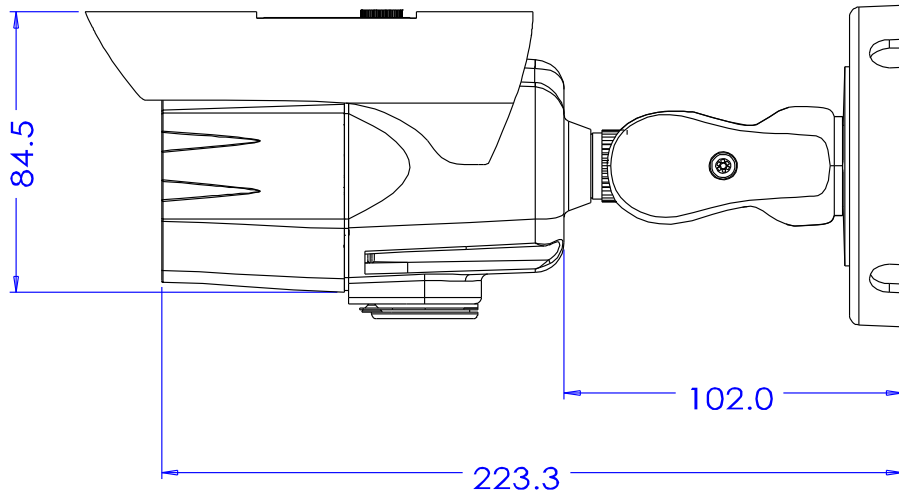


Logical Rules

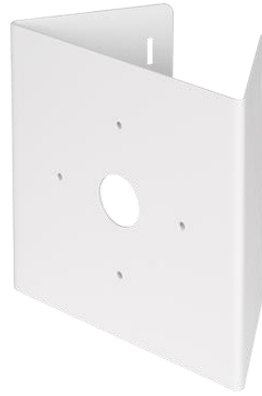
Technical Specifications

Dimensions

(Unit: mm)



Accessories



W-BP07